



# **LAE 800**

**Svetslikriktare**  
**Svejseensretter**  
**Likeretter for sveising**  
**Hitsaustasasuuntaaja**  
**Welding rectifier**  
**Schweißgleichrichter**  
**Redresseur de soudage**  
**Lasgelijkrichter**  
**Rectificador de soldadura**  
**Raddrizzatore per saldatura**  
**Rectificador de soldagem**  
**Ανορθωτής συγκόλλησης**

**Bruksanvisning**  
**Brugsanvisning**  
**Bruksanvisning**  
**Käyttöohjeet**  
**Instruction manual**  
**Betriebsanweisung**

**Manual d'instructions**  
**Gebruiksaanwijzing**  
**Instrucciones de uso**  
**Istruzioni per l'uso**  
**Manual de instruções**  
**Οδηγίες χρήσεως**

## FÖRSÄKRAN OM ÖVERENSSTÄMMELSE

### SVENSKA

Esab Welding Equipment AB, 695 81 Laxå, Sverige, försäkrar under eget ansvar att svetsströmkälla LAE 800 med nummer 508 är i överensstämmelse med standard EN 60974-1 enligt villkoren i direktiv 73/23/EEG med tillägg 93/68/EEG.

---

## OVERENSSTEMMELSEERKLÆRING

### DANSK

Esab Welding Equipment AB, 695 81 Laxå, Sverige garanterer under eget ansvar, at svejsestrømkilde LAE 800 med nummer 508 er i overensstemmelse med standard EN 60974-1 ifølge betingelserne i direktiv 73/23/EEC med tillæg 93/68/EEC.

---

## FORSIKRING OM OVERENSSTEMMELSE

### NORSK

Esab Welding Equipment AB, 695 81 Laxå, Sweden, forsikrer på eget ansvar at sveisestrømkilde LAE 800 med nummer 508 er i samsvar med standard EN 60974-1 i overensstemmelse med bestemmelsene i direktiv 73/23/EØF med tillegg 93/68/EØF

---

## VAATIMUSTENMUKAISUUSVAKUUTUS

### SUOMI

Esab Welding Equipment AB, 695 81 Laxå, Sweden, vakuuttaa omalla vastuullaan, että hitsausvirtalähde LAE 800 numero 508 täyttää standardin EN 60974-1 vaatimukset direktiivin 73/23/EEC ja sen lisäyksen 93/68/EEC mukaisesti.

---

## DECLARATION OF CONFORMITY

### ENGLISH

Esab Welding Equipment AB, 695 81 Laxå, Sweden, gives its unreserved guarantee that welding power source LAE 800 having number 508 complies with standard EN 60974-1, in accordance with the requirements of directive 73/23/EEA and addendum 93/68/EEA.

---

## KONFORMITÄTSERKLÄRUNG

### DEUTSCH

Esab Welding Equipment AB, 695 81 Laxå Schweden, versichert hiermit auf eigene Verantwortung, daß die Schweißstromquelle LAE 800 mit n-Nr 508 mit der norm EN 60974-1 gemäß den Bedingungen der Richtlinien 73/23/EWG mit der Ergänzung 93/68/EWG in Übereinstimmung steht.

---

## CERTIFICAT DE CONFORMITÉ

### FRANÇAIS

Esab Welding Equipment AB, 695 81 Laxå Suède, certifie sous sa propre responsabilité que la source de courant de soudage LAE 800 portant le numéro 508 répond aux normes de qualité EN 60974-1 conformément aux directives 73/23/EEC avec annexe 93/68/EEC.

---

## OVEREENSKOMSTIGHEIDSVERKLARING

### NEDERLANDS

Esab Welding Equipment AB, 695 81 Laxå Sweden, verklaart op eigen verantwoordelijkheid dat lasstroombron LAE 800 met nummer 508 overeenkomt met norm EN 60974-1 volgens richtlijn 73/23/EEG van de Raad met toevoeging 93/68/EEG.

---

## DECLARACIÓN DE CONFORMIDAD

### ESPAÑOL

Esab Welding Equipment AB, 695 81 Laxå, Suecia, declara, asumiendo toda responsabilidad, que la fuente de corriente para soldadura LAE 800 con el número de 508 está fabricada de conformidad con la normativa EN 60974-1 según los requisitos de la directiva 73/23/EEC con el suplemento 93/68/EEC.

---

## DICHIARAZIONE DI CONFORMITA

### ITALIANO

Esab Welding Equipment AB, 695 81 Laxå Swezia, dichiara sotto la propria responsabilità che il generatore per saldatura LAE 800 numero di 508 è conforme alla norma EN 60974-1 ai sensi dei requisiti previsti dalla direttiva 73/23/CEE e successive integrazioni nella direttiva 93/68/CEE.

---

## DECLARAÇÃO DE CONFORMIDADE

### PORTUGUÊS

Esab Welding Equipment AB, 695 81 Laxå Suécia, certifica, sob a sua própria responsabilidade que, a fonte de corrente para soldadura LAE 800 número 508 está em conformidade com a norma EN 60974-1, segundo os requisitos constantes na directiva 73/23/EEC e com o suplemento 93/68/EEC.

---

## ΒΕΒΑΙΩΣΗ ΣΥΜΦΩΝΙΑΣ

### Ελληνικά

Η Esab Welding Equipment AB, 695 81 Laxå Sweden, βεβαιώνει με δική της ευθύνη ότι η πηγή συγκολλητικού ρεύματος LAE 800 με αριθμό 508 βρίσκεται σε συμφωνία με το στανταρτ EN 60974-1 σύμφωνα με του όρους της οδηγίας 73/23/EEC και την προσθήκη 93/68/EEC.

---

Laxå 95-04-10



Paul Karlsson  
Managing Director  
Esab Welding Equipment AB  
695 81 LAXÅ  
SWEDEN

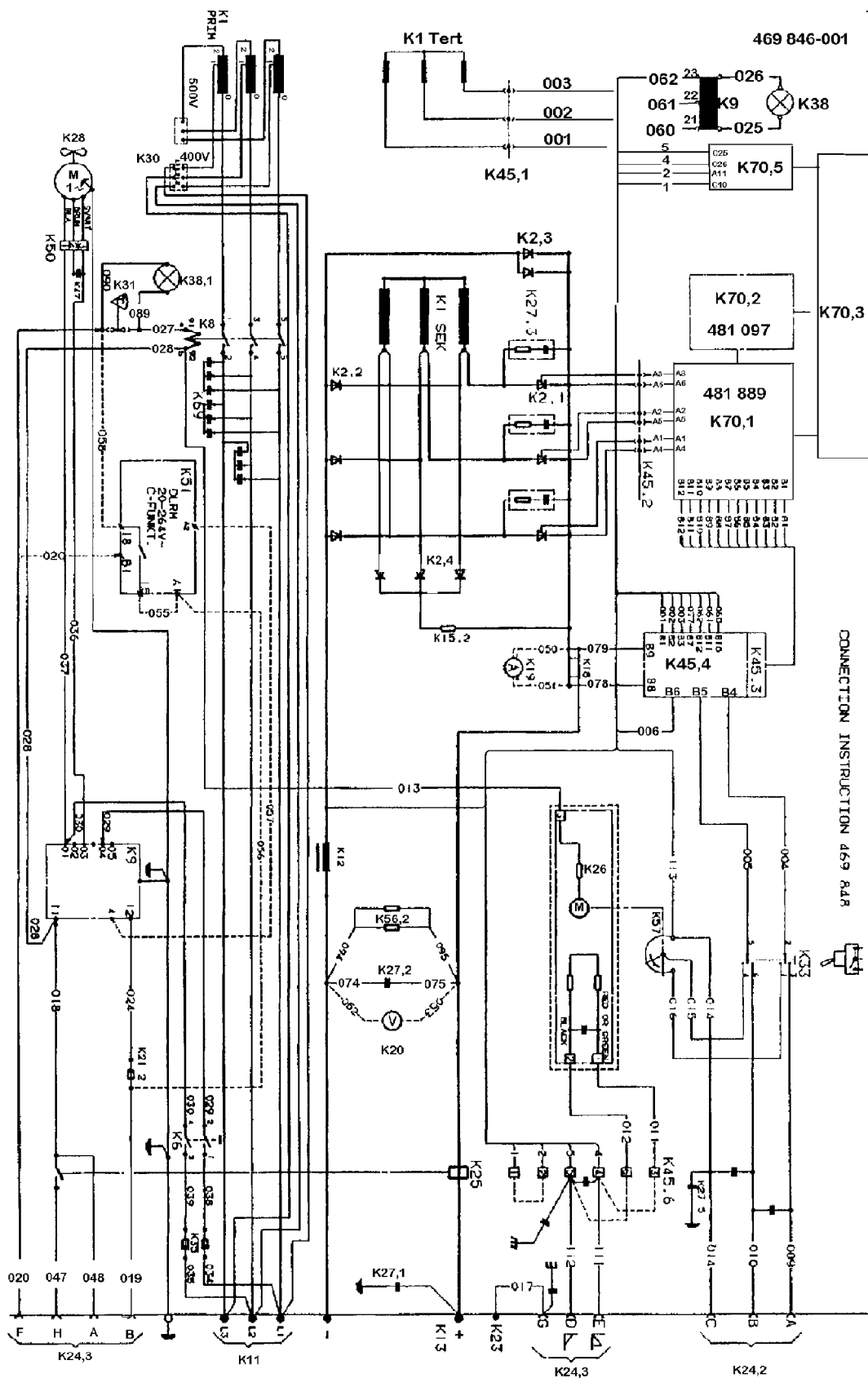
Tel: + 46 584 81176

Fax: + 46 584 12336

SVENSKA .....	5
DANSK .....	10
NORSK .....	15
SUOMI .....	20
ENGLISH .....	25
DEUTSCH .....	30
FRANÇAIS .....	36
NEDERLANDS .....	41
ESPAÑOL .....	46
ITALIANO .....	51
PORTUGUÊS .....	56
ΕΛΛΗΝΙΚΑ .....	61

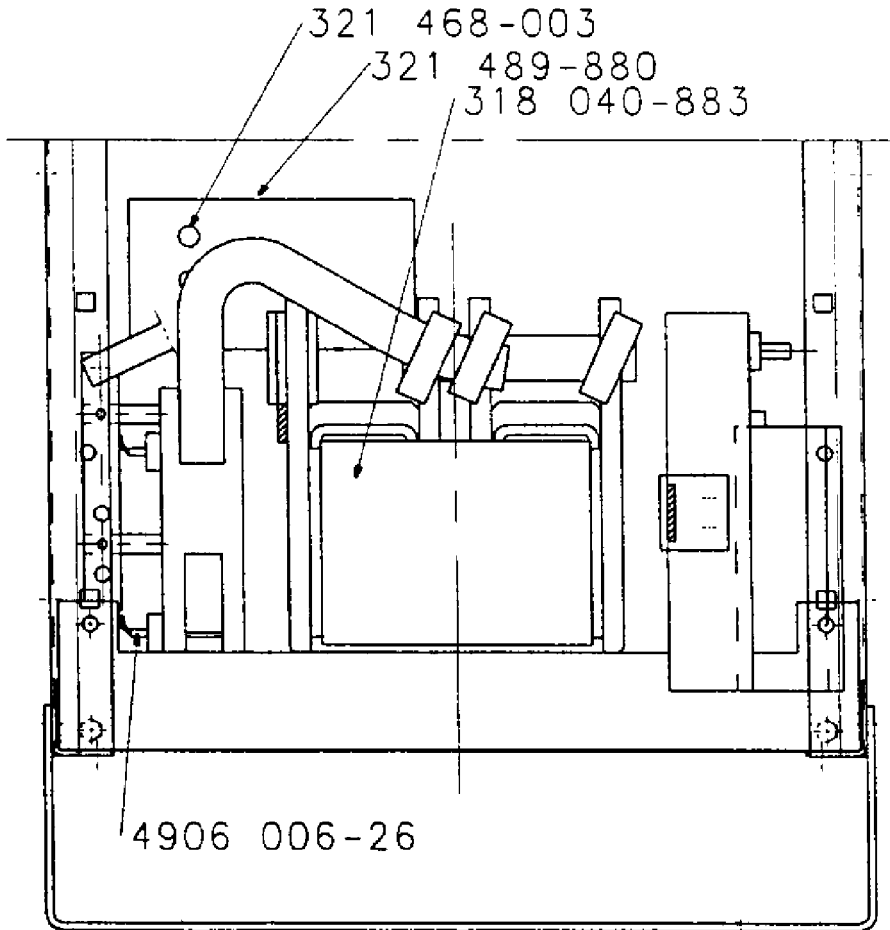
Rätt till ändring av specifikationer utan avisering förbehålles.  
Ret til ændring af specifikationer uden varsel forbeholdes.  
Ret til å endre spesifikasjoner uten varsel forbeholdes.  
Oikeudet muutoksiin pidätetään.  
Rights reserved to alter specifications without notice.  
Änderungen vorbehalten.  
Sous réserve de modifications sans avis préalable.  
Recht op wijzigingen zonder voorafgaande mededeling voorbehouden.  
Reservado el derecho de cambiar las especificaciones sin previo aviso.  
Ci riserviamo il diritto di variare le specifiche senza preavviso.  
Reservamo-nos o direito de alterar as especificações sem aviso prévio.  
Διατηρείται το δικαίωμα τροποποίησης προδιαγραφών Χωρίς προειδοποίηση.

Schema Skema Skjema Johdotuskaavio Diagram Schaltplan Schéma  
 Schema Esquema Schema Esquema Σχήμα σύνδεσης

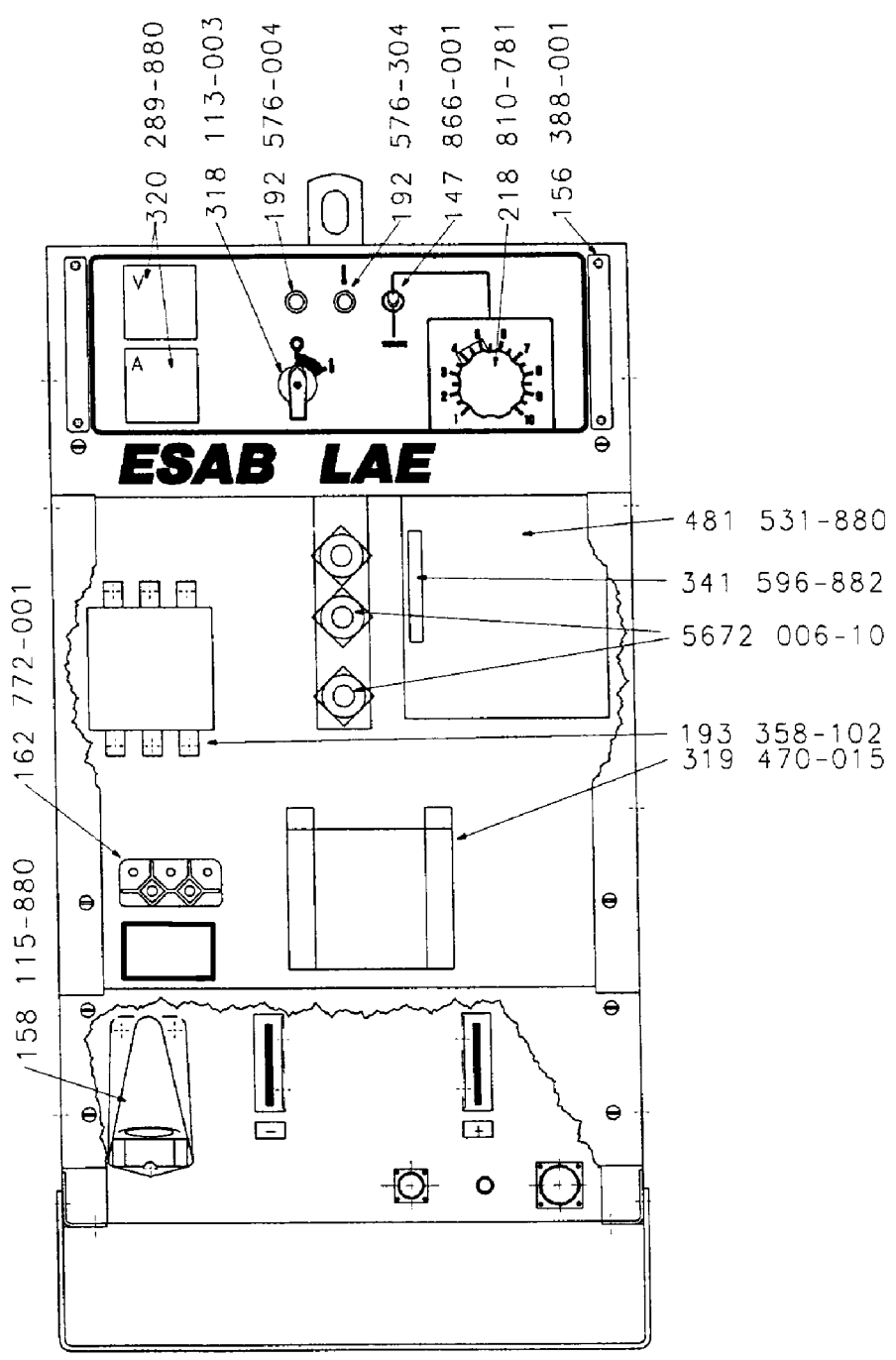


ba10e001

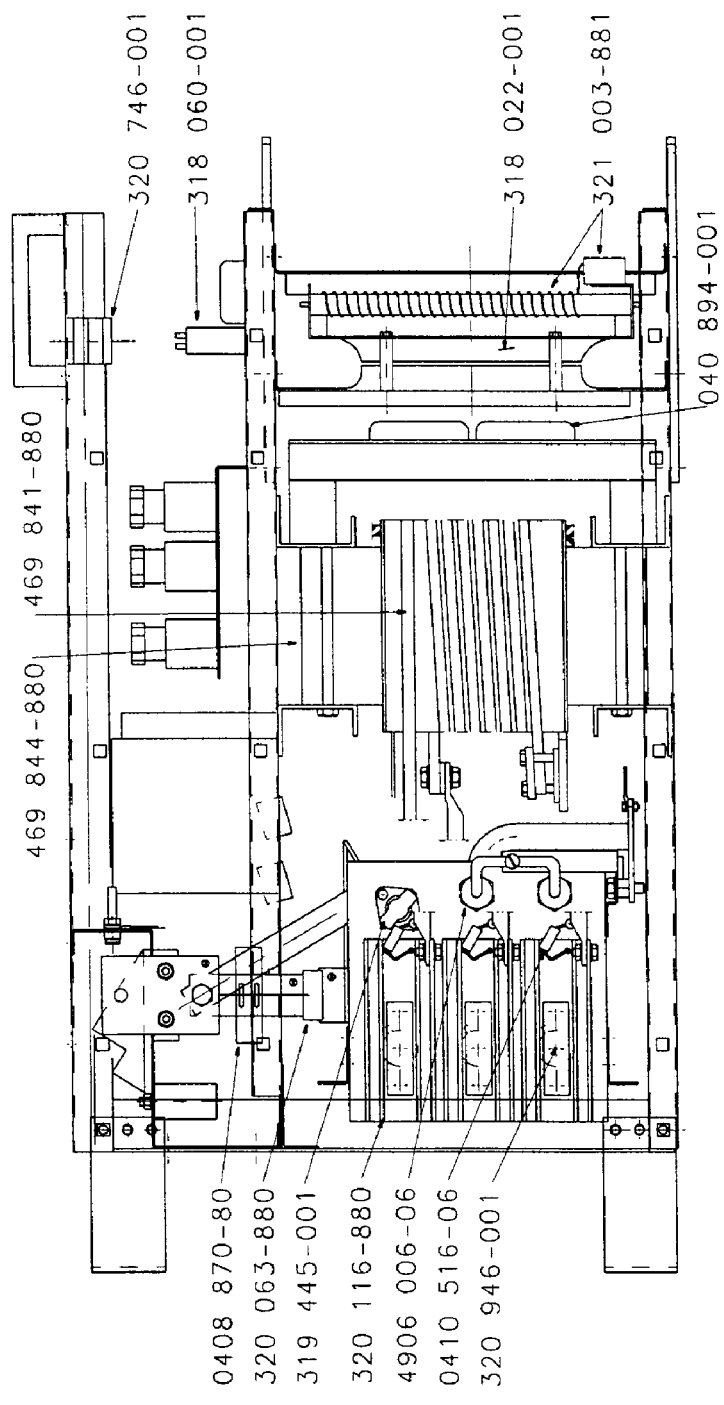
Reservdelsförteckning Reservdelsfortegnelse Reservdelsliste  
Varaosaluettelo Spare parts list Ersatzteilliste Liste de pièces détachées  
Reserveonderdelenlijst Lista de repuestos Elenco ricambi Lista de peças  
sobressalentes Πίνακας ανταλλακτικών μερών



ba10s003



ba10s002



ba10s001





# ESAB subsidiaries and representative offices

## Europe

### AUSTRIA

ESAB Ges.m.b.H  
Vienna-Liesing  
Tel: +43 1 888 25 11  
Fax: +43 1 888 25 11 85

### BELGIUM

S.A. ESAB N.V.  
Brussels  
Tel: +32 2 745 11 00  
Fax: +32 2 726 80 05

### THE CZECH REPUBLIC

ESAB VAMBERK s.r.o.  
Prague  
Tel: +420 2 819 40 885  
Fax: +420 2 819 40 120

### DENMARK

Aktieselskabet ESAB  
Copenhagen-Valby  
Tel: +45 36 30 01 11  
Fax: +45 36 30 40 03

### FINLAND

ESAB Oy  
Helsinki  
Tel: +358 9 547 761  
Fax: +358 9 547 77 71

### FRANCE

ESAB France S.A.  
Cergy Pontoise  
Tel: +33 1 30 75 55 00  
Fax: +33 1 30 75 55 24

### GERMANY

ESAB GmbH  
Solingen  
Tel: +49 212 298 0  
Fax: +49 212 298 204

### GREAT BRITAIN

ESAB Group (UK) Ltd  
Waltham Cross  
Tel: +44 1992 76 85 15  
Fax: +44 1992 71 58 03

### ESAB Automation Ltd

Andover  
Tel: +44 1264 33 22 33  
Fax: +44 1264 33 20 74

### HUNGARY

ESAB Kft  
Budapest  
Tel: +36 1 20 44 182  
Fax: +36 1 20 44 186

### ITALY

ESAB Saldatura S.p.A.  
Mesero (Mi)  
Tel: +39 02 97 96 81  
Fax: +39 02 97 28 91 81

### THE NETHERLANDS

ESAB Nederland B.V.  
Utrecht  
Tel: +31 30 248 59 22  
Fax: +31 30 248 52 60

## NORWAY

AS ESAB  
Larvik  
Tel: +47 33 12 10 00  
Fax: +47 33 11 52 03

## POLAND

ESAB Sp.z.o.o  
Warszaw  
Tel: +48 22 813 99 63  
Fax: +48 22 813 98 81

## PORTUGAL

ESAB Lda  
Lisbon  
Tel: +351 1 837 1527  
Fax: +351 1 859 1277

## SLOVAKIA

ESAB Slovakia s.r.o.  
Bratislava  
Tel: +421 7 44 88 24 26  
Fax: +421 7 44 88 87 41

## SPAIN

ESAB Ibérica S.A.  
Alcobendas (Madrid)  
Tel: +34 91 623 11 00  
Fax: +34 91 661 51 83

## SWEDEN

ESAB Sverige AB  
Gothenburg  
Tel: +46 31 50 95 00  
Fax: +46 31 50 92 22

### ESAB International AB

Gothenburg  
Tel: +46 31 50 90 00  
Fax: +46 31 50 93 60

## SWITZERLAND

ESAB AG  
Dietikon  
Tel: +41 1 741 25 25  
Fax: +41 1 740 30 55

## North and South America

### ARGENTINA

CONARCO  
Buenos Aires  
Tel: +54 11 4 753 4039  
Fax: +54 11 4 753 6313

### BRAZIL

ESAB S.A.  
Contagem-MG  
Tel: +55 31 333 43 33  
Fax: +55 31 361 31 51

### CANADA

ESAB Group Canada Inc.  
Mississauga, Ontario  
Tel: +1 905 670 02 20  
Fax: +1 905 670 48 79

### MEXICO

ESAB Mexico S.A.  
Monterrey  
Tel: +52 8 350 5959  
Fax: +52 8 350 7554

### USA

ESAB Welding & Cutting Products  
Florence, SC  
Tel: +1 843 669 44 11  
Fax: +1 843 664 44 58

## Asia/Pacific

### AUSTRALIA

ESAB Australia Pty Ltd  
Ermington  
Tel: +61 2 9647 1232  
Fax: +61 2 9748 1685

### CHINA

Shanghai ESAB A/P  
Shanghai  
Tel: +86 21 6539 7124  
Fax: +86 21 6543 6622

### INDIA

ESAB India Ltd  
Calcutta  
Tel: +91 33 478 45 17  
Fax: +91 33 468 18 80

### INDONESIA

P.T. Esabindo Pratama  
Jakarta  
Tel: +62 21 460 01 88  
Fax: +62 21 461 29 29

### MALAYSIA

ESAB (Malaysia) Snd Bhd  
Selangor  
Tel: +60 3 703 36 15  
Fax: +60 3 703 35 52

### SINGAPORE

ESAB Singapore Pte Ltd  
Singapore  
Tel: +65 861 43 22  
Fax: +65 861 31 95

### ESAB Asia/Pacific Pte Ltd

Singapore  
Tel: +65 861 74 42  
Fax: +65 863 08 39

### SOUTH KOREA

ESAB SeAH Corporation  
Kyung-Nam  
Tel: +82 551 289 81 11  
Fax: +82 551 289 88 63

### UNITED ARAB EMIRATES

ESAB Middle East  
Dubai  
Tel: +971 4 338 88 29  
Fax: +971 4 338 87 29

## Representative offices

### BULGARIA

ESAB Representative Office  
Sofia  
Tel/Fax: +359 2 974 42 88

### EGYPT

ESAB Egypt  
Dokki-Cairo  
Tel: +20 2 390 96 69  
Fax: +20 2 393 32 13

### ROMANIA

ESAB Representative Office  
Bucharest  
Tel/Fax: +40 1 322 36 74

### RUSSIA-CIS

ESAB Representative Office  
Moscow  
Tel: +7 095 937 98 20  
Fax: +7 095 937 95 80

### ESAB Representative Office

St Petersburg  
Tel: +7 812 325 43 62  
Fax: +7 812 325 66 85

## Distributors

*For addresses and phone numbers to our distributors in other countries, please visit our home page*

[www.esab.com](http://www.esab.com)



ESAB AB  
SE-695 81 LAXÅ  
SWEDEN  
Phone +46 584 81 000  
Fax +46 584 123 08

[www.esab.com](http://www.esab.com)

