



LAF 1001 / LAF 1001M



Spare parts list

Ordering no.	Product
0460 513 880	LAF 1001
0460 513 881	LAF 1001M

Spare parts may be ordered through your nearest ESAB dealer, see the back cover of this document. When ordering, please state product type, serial number, denominations and ordering numbers according to the spare parts list. This facilitates dispatch and ensures correct delivery.

Maintenance and repair work should be performed by an experienced person, and electrical work only by a trained electrician. Use only recommended spare parts.

SPARE PARTS **4**

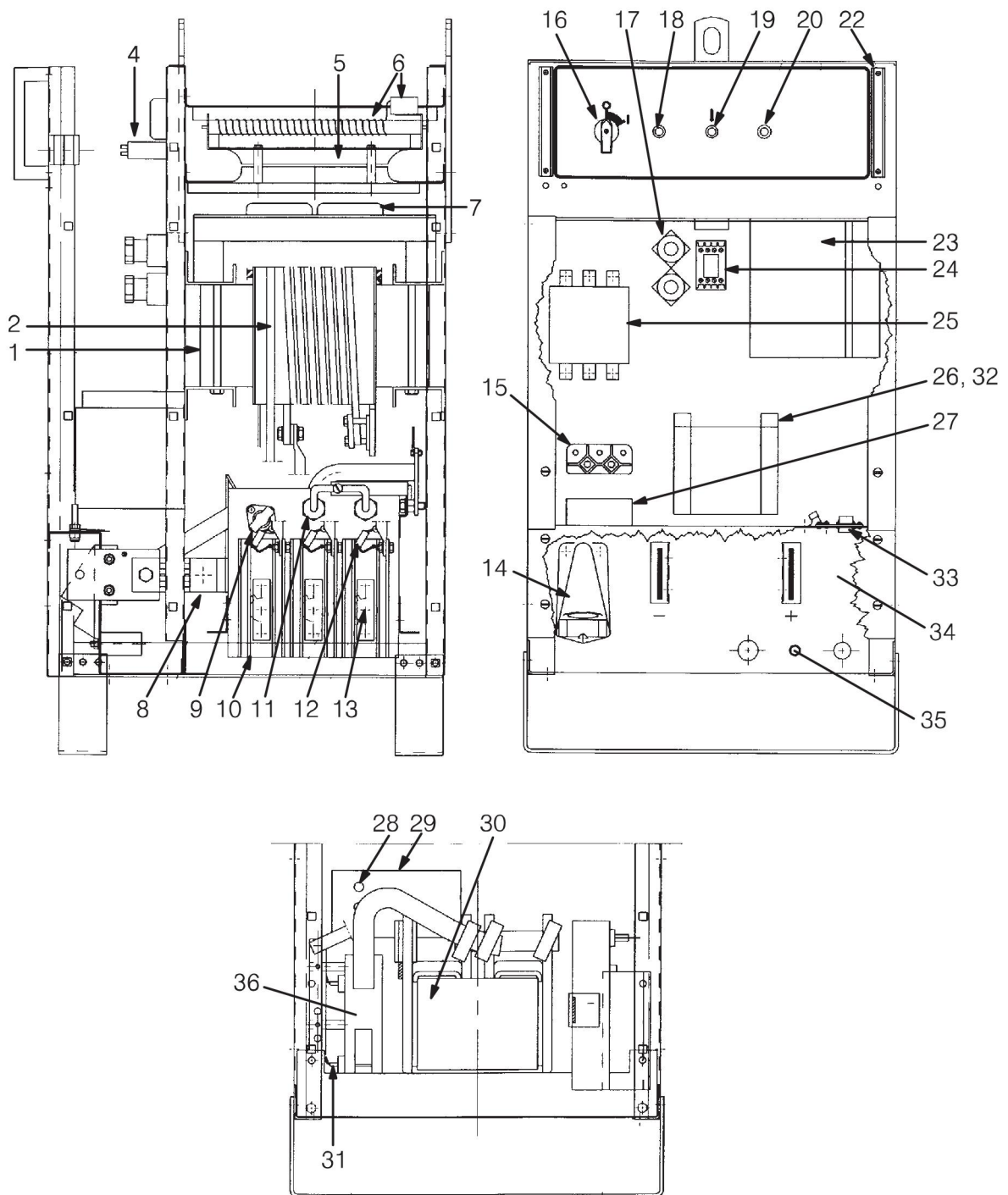
SPARE PARTS

C = Component designation in the circuit diagram

Item	Qty	Ordering no.	Denomination	Notes	C
1	1	0469 844 882	Transformer		TM1
2.1	1	0469 841 884	Transformer coil		
2.2	1	0469 841 885	Transformer coil		
2.3	1	0469 841 886	Transformer coil		
4	1	0318 060 001	Capacitor		C4
5	1	0318 022 001	Fan		M1
6	1	0321 003 881	Resistor		R3
7	2	0040 894 001	Connection block		XT2
8	1	0551 202 980	Shunt		RS1
9	1	0319 445 002	Thermal guard		ST1
10	1	0320 116 882	Thyristor bridge		
11	2	0490 600 606	Silicon diode		V4
12	5	0455 748 884	Contact protection		RC1-RC5
13	3	0320 946 001	Thyristor		THY1-THY3
14	1	0158 115 880	Cable inlet		
15	1	0162 772 001	Connection block	Note: Only for LAF 1001	X1
	1	0040 894 001	Connection block	Note: Only for LAF 1001M	X1
16	1	0320 746 002	Main switch	Black	QF
17	2	0194 077 008	Automatic fuse	16 A	FU1
18	1	0192 576 004	Indicating lamp (white)		HL1
19	1	0192 576 304	Indicating lamp (yellow)		HL2
20	1	0193 586 104	Automatic fuse	20 A	FU2
22	2	0467 176 001	Handle		
23	1	0487 399 880	Circuit board	From serial no. 935-xxx-xxxx The circuit board must be configured when installed.	AP1
	1	0487 399 884	Circuit board	From serial no. 935-xxx-xxxx Circuit board configured for LAF 1001 version	AP1
24	1	0805 586 131	Contactactor		KM2
25	1	0193 358 102	Contactactor	Note: Only for LAF 1001	KM1
	1	0442 849 880	Contactactor	Note: Only for LAF 1001M	KM1
26	1	0460 092 002	Control transformer	42 V, 900 VA	TC1
27	1	0486 224 880	Circuit board, EMC filter		AP3
28	3	0321 468 003	Silicon diode		V3
29	1	0321 489 880	Base current bridge		
30	1	0318 040 883	Inductor		L1

SPARE PARTS

Item	Qty	Ordering no.	Denomination	Notes	C
31	6	0490 600 626	Silicon diode		V2
32	1	0567 900 129	Fuse	315 mA	FU3
33	1	0487 068 880	Circuit board, insulation		AP2
		0368 544 006	Sleeve socket	28-pole, Burndy	XS4
34	1	0191 093 135	Resistor	680R	R4
35	1	0523 300 201	Measure terminal		
36	1	0320 266 880	Diode bridge		



ESAB subsidiaries and representative offices

Europe

AUSTRIA

ESAB Ges.m.b.H
Vienna-Liesing
Tel: +43 1 888 25 11
Fax: +43 1 888 25 11 85

BELGIUM

S.A. ESAB N.V.
Heist-op-den-Berg
Tel: +32 15 25 79 30
Fax: +32 15 25 79 44

BULGARIA

ESAB Kft Representative Office
Sofia
Tel: +359 2 974 42 88
Fax: +359 2 974 42 88

THE CZECH REPUBLIC

ESAB VAMBERK s.r.o.
Vamberk
Tel: +420 2 819 40 885
Fax: +420 2 819 40 120

DENMARK

Aktieselskabet ESAB
Herlev
Tel: +45 36 30 01 11
Fax: +45 36 30 40 03

FINLAND

ESAB Oy
Helsinki
Tel: +358 9 547 761
Fax: +358 9 547 77 71

GREAT BRITAIN

ESAB Group (UK) Ltd
Waltham Cross
Tel: +44 1992 76 85 15
Fax: +44 1992 71 58 03

ESAB Automation Ltd
Andover

Tel: +44 1264 33 22 33
Fax: +44 1264 33 20 74

FRANCE

ESAB France S.A.
Cergy Pontoise
Tel: +33 1 30 75 55 00
Fax: +33 1 30 75 55 24

GERMANY

ESAB Welding & Cutting GmbH
Langenfeld
Tel: +49 2173 3945-0
Fax: +49 2173 3945-218

HUNGARY

ESAB Kft
Budapest
Tel: +36 1 20 44 182
Fax: +36 1 20 44 186

ITALY

ESAB Saldatura S.p.A.
Bareggio (Mi)
Tel: +39 02 97 96 8.1
Fax: +39 02 97 96 87 01

THE NETHERLANDS

ESAB Nederland B.V.
Amersfoort
Tel: +31 33 422 35 55
Fax: +31 33 422 35 44

NORWAY

AS ESAB
Larvik
Tel: +47 33 12 10 00
Fax: +47 33 11 52 03

POLAND

ESAB Sp.zo.o.
Katowice
Tel: +48 32 351 11 00
Fax: +48 32 351 11 20

PORTUGAL

ESAB Lda
Lisbon
Tel: +351 8 310 960
Fax: +351 1 859 1277

ROMANIA

ESAB Romania Trading SRL
Bucharest
Tel: +40 316 900 600
Fax: +40 316 900 601

RUSSIA

LLC ESAB
Moscow
Tel: +7 (495) 663 20 08
Fax: +7 (495) 663 20 09

SLOVAKIA

ESAB Slovakia s.r.o.
Bratislava
Tel: +421 7 44 88 24 26
Fax: +421 7 44 88 87 41

SPAIN

ESAB Ibérica S.A.
San Fernando de Henares
(MADRID)
Tel: +34 91 878 3600
Fax: +34 91 802 3461

SWEDEN

ESAB Sverige AB
Gothenburg
Tel: +46 31 50 95 00
Fax: +46 31 50 92 22

ESAB International AB

Gothenburg
Tel: +46 31 50 90 00
Fax: +46 31 50 93 60

SWITZERLAND

ESAB Europe GmbH
Baar
Tel: +41 1 741 25 25
Fax: +41 1 740 30 55

UKRAINE

ESAB Ukraine LLC
Kiev
Tel: +38 (044) 501 23 24
Fax: +38 (044) 575 21 88

North and South America

ARGENTINA

CONARCO
Buenos Aires
Tel: +54 11 4 753 4039
Fax: +54 11 4 753 6313

BRAZIL

ESAB S.A.
Contagem-MG
Tel: +55 31 2191 4333
Fax: +55 31 2191 4440

CANADA

ESAB Group Canada Inc.
Mississauga, Ontario
Tel: +1 905 670 0220
Fax: +1 905 670 4879

MEXICO

ESAB Mexico S.A.
Monterrey
Tel: +52 8 350 5959
Fax: +52 8 350 7554

USA

ESAB Welding & Cutting
Products
Florence, SC
Tel: +1 843 669 4411
Fax: +1 843 664 5748

Asia/Pacific

AUSTRALIA

ESAB South Pacific
Archerfield BC QLD 4108
Tel: +61 1300 372 228
Fax: +61 7 3711 2328

CHINA

Shanghai ESAB A/P
Shanghai
Tel: +86 21 2326 3000
Fax: +86 21 6566 6622

INDIA

ESAB India Ltd
Calcutta
Tel: +91 33 478 45 17
Fax: +91 33 468 18 80

INDONESIA

P.T. ESABindo Pratama
Jakarta
Tel: +62 21 460 0188
Fax: +62 21 461 2929

JAPAN

ESAB Japan
Tokyo
Tel: +81 45 670 7073
Fax: +81 45 670 7001

MALAYSIA

ESAB (Malaysia) Snd Bhd
USJ
Tel: +603 8023 7835
Fax: +603 8023 0225

SINGAPORE

ESAB Asia/Pacific Pte Ltd
Singapore
Tel: +65 6861 43 22
Fax: +65 6861 31 95

SOUTH KOREA

ESAB SeAH Corporation
Kyungnam
Tel: +82 55 269 8170
Fax: +82 55 289 8864

UNITED ARAB EMIRATES

ESAB Middle East FZE
Dubai
Tel: +971 4 887 21 11
Fax: +971 4 887 22 63

Africa

EGYPT

ESAB Egypt
Dokki-Cairo
Tel: +20 2 390 96 69
Fax: +20 2 393 32 13

SOUTH AFRICA

ESAB Africa Welding & Cutting
Ltd
Durbanville 7570 - Cape Town
Tel: +27 (0)21 975 8924

Distributors

For addresses and phone numbers to our distributors in other countries, please visit our home page

www.esab.com



www.esab.com

