



# **LAF 631**



## **Spare parts list**

<b>Ordering no.</b>	<b>Product</b>
0460 512 880	Welding power source LAF 631

Spare parts may be ordered through your nearest ESAB dealer, see [esab.com](https://www.esab.com). When ordering, please state product type, serial number, denominations and ordering numbers according to the spare parts list. This facilitates dispatch and ensures correct delivery.

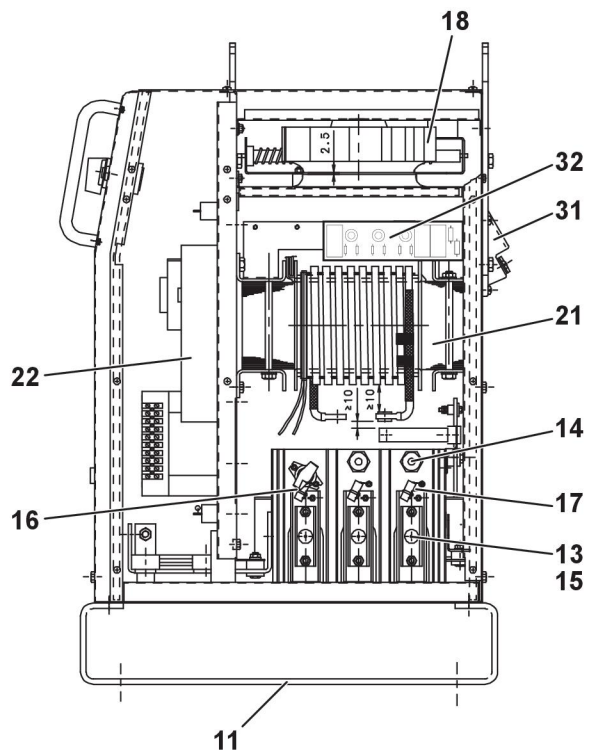
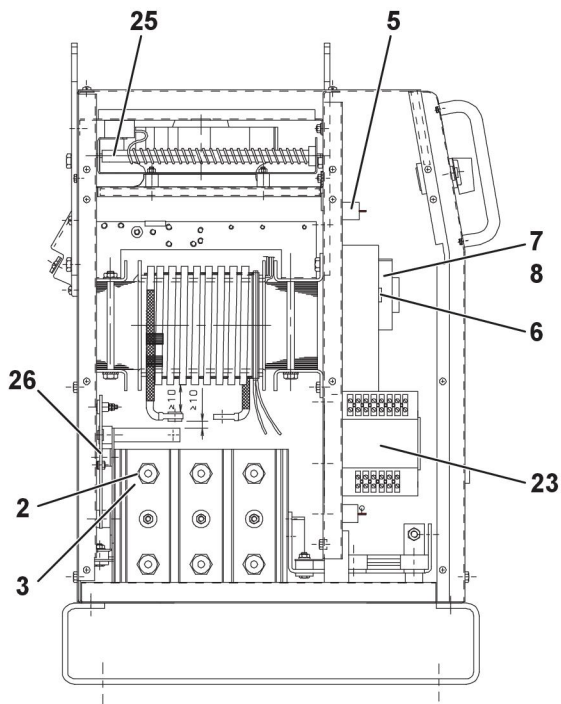
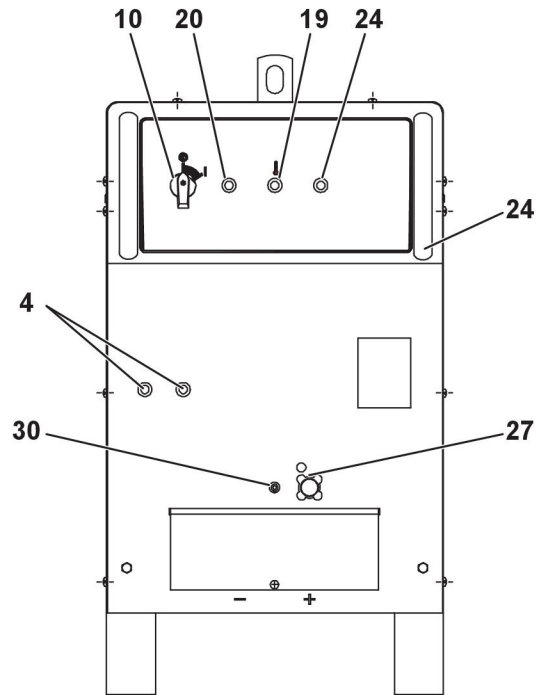
Maintenance and repair work should be performed by an experienced person, and electrical work only by a trained electrician. Use only recommended spare parts.

**SPARE PARTS** ..... **4**

## SPARE PARTS

C = Component designation in the circuit diagram

Item	Qty	Ordering no.	Denomination	Notes	C
		<b>0460 512 880</b>	<b>Welding power source</b>	<b>LAF 631</b>	
2	1	0320 415 881	Diode bridge		
3	6	0490 600 626	Diode		V2
4	2	0193 586 101	Automatic fuse	5 A	FU3
5	1	0191 085 203	Capacitor		C4
6	2	0194 077 008	Automatic fuse	16 A, 400 V	FU1
7	1	0193 503 101	Contacto		KM1
8	1	0805 586 131	Contacto		KM2
10	1	0320 746 002	Main switch	Black	QF
11	2	0457 583 001	Foot		
12	1	0193 586 104	Automatic fuse	20 A	FU2
13	1	0320 620 887	Thyristor bridge		
14	2	0490 600 606	Diode		V4
15	3	0320 946 001	Thyristor		THY1-THY3
16	1	0319 445 002	Thermal guard		ST1
17	3	0041 051 606	Contact protection		RC1-5
18	1	0369 827 001	Fan		M1
19	1	0192 576 303	Indicating lamp (yellow)		HL2
20	1	0192 576 004	Indicating lamp (white)		HL1
21	1	0467 970 882	Transformer		TM1
21.1	3	0457 565 880	Transformer coil		
22	1	0487 399 880	Circuit board	Valid from serial no. 935-xxx-xxxx Circuit board configured for LAF 631 version	AP1
23	1	0460 092 002	Control transformer		TC1
24	2	0467 176 001	Handle		
25	1	0321 003 881	Resistor		R3
26	1	0321 489 881	Base current bridge		
27	1	0459 854 002	Insulation		AP2
		0368 544 006	Sleeve socket	28-pole, Burndy	XS4
28	1	0457 564 880	Inductor		L1
29	1	0551 202 980	Shunt		RS1
30	1	0523 300 201	Measure terminal		
31	1	0158 117 880	Cable inlet		
32	1	0440 203 880	Interference suppressor circuit board		2AP3





# A WORLD OF PRODUCTS AND SOLUTIONS.



For contact information visit [esab.com](http://esab.com)

ESAB AB, Lindholmsallén 9, Box 8004, 402 77 Gothenburg, Sweden, Phone +46 (0) 31 50 90 00

<http://manuals.esab.com>

