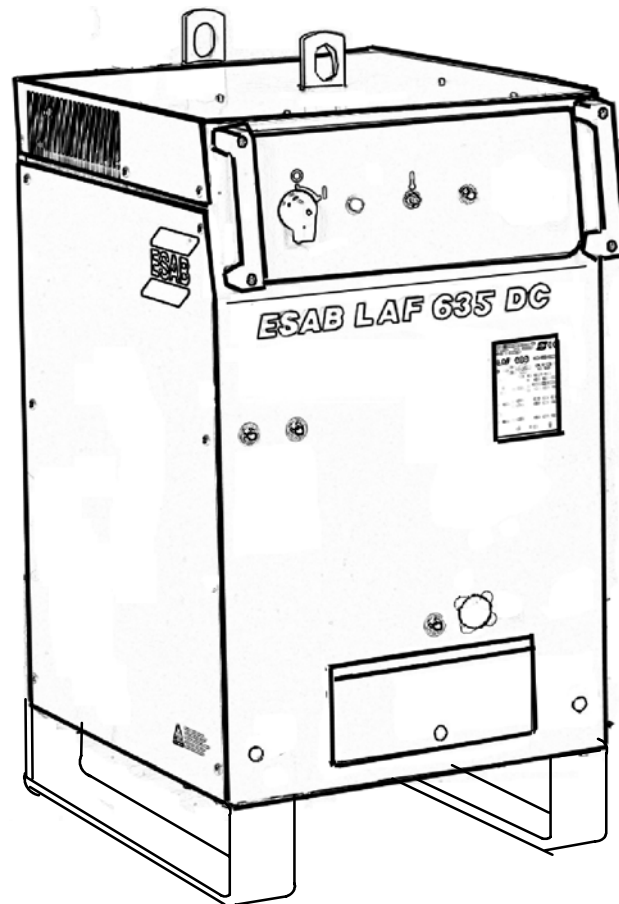




LAF 635/LAF 635R



**Bruksanvisning
Brugsanvisning
Bruksanvisning
Käyttöohjeet
Instruction manual
Betriebsanweisung**

**Manuel d'instructions
Gebruiksaanwijzing
Instrucciones de uso
Istruzioni per l'uso
Manual de instruções
Οδηγίες χρήσεως**

SVENSKA	5
DANSK	13
NORSK	21
SUOMI	29
ENGLISH	37
DEUTSCH	45
FRANÇAIS	54
NEDERLANDS	62
ESPAÑOL	71
ITALIANO	80
PORTUGUÊS	89
ΕΛΛΗΝΙΚΑ	98

Rätt till ändring av specifikationer utan avisering förbehålles.
 Ret til ændring af specifikationer uden varsel forbeholdes.
 Rett til å endre spesifikasjoner uten varsel forbeholdes.
 Oikeudet muutoksiin pidätetään.
 Rights reserved to alter specifications without notice.
 Änderungen vorbehalten.
 Sous réserve de modifications sans avis préalable.
 Recht op wijzigingen zonder voorafgaande mededeling voorbehouden.
 Reservado el derecho de cambiar las especificaciones sin previo aviso.
 Ci riserviamo il diritto di variare le specifiche senza preavviso.
 Reservamo-nos o direito de alterar as especificações sem aviso prévio.
 Διατηρείται το δικαίωμα τροποποίησης προδιαγραφών Χωρίς προειδοποίηση.

FÖRSÄKRAN OM ÖVERENSSTÄMMELSE

ESAB AB, Welding Equipment, 695 81 Laxå, Sverige, försäkrar under eget ansvar att svetsströmkälla **LAF 635 / LAF 635 R** från serienummer **606** är i överensstämmelse med standard EN 60974-1 enligt villkoren i direktiv (73/23/EEG) med tillägg (93/68/EEG) och standard EN 60974-10 enligt villkoren i direktiv (89/336/EEG) med tillägg (93/68/EEG).

OVERENSSTEMMELSEERKLÆRING

ESAB AB, Welding Equipment, S-695 81 Laxå, Sverige, erklærer på eget ansvar, at svejsestrømkilde **LAF 635 / LAF 635 R** fra serienummer **606** er i overensstemmelse med standarden EN 60974-1 ifølge betingelserne i direktiv (73/23/EØF) med tillæg (93/68/EØF) og standarden EN 60974-10 ifølge betingelserne i direktiv (89/336/EØF) med tillæg (93/68/EØF).

FORSIKRING OM SAMSVAR

ESAB AB, Welding Equipment, S-695 81 Laxå, Sverige, försäkrar på eget ansvar att svejsestrømkilde **LAF 635 / LAF 635 R** fra serienummer **606** er i overensstemmelse med standard EN 60974-1 i følge vilkårene i direktiv (73/23/EF) med tillegg (93/68/EF) og standard EN 60974-10 i følge vilkårene i direktiv (89/336/EF) med tillegg (93/68/EF).

VAATIMUSTENMUKAISUUSVAKUUTUS

ESAB AB, Welding Equipment, S-695 81 Laxå, Ruotsi, vakuuttaa omalla vastuullaan, että hitsausvir-
talähde **LAF 635 / LAF 635 R** alkaen sarjanumerosta **606** täyttää standardin EN 60974-1 vaatimuk-
set direktiivin (73/23/ETY) ja sen lisäysten (93/68/ETY) ehtojen mukaisesti sekä standardin EN
60974-10 vaatimukset direktiivin (89/336/ETY) ja sen lisäysten (93/68/ETY) ehtojen mukaisesti.

DECLARATION OF CONFORMITY

ESAB AB, Welding Equipment, S-695 81 Laxå, Sweden, gives its unreserved guarantee that welding
power source **LAF 635 / LAF 635 R** from serial number **606** complies with standard EN 60974-1, in
accordance with the requirements of directive (73/23/EEC) and addendum (93/68/EEC) and with
standard EN 60974-10 in accordance with the requirements of directive (89/336/EEC) and addendum
(93/68/EEC).

ZULASSUNGSNACHWEIS

ESAB AB, Welding Equipment, S-695 81 Laxå, Schweden, bestätigt hiermit in Eigenverantwortung,
daß die Schweißstromquelle **LAF 635 / LAF 635 R** ab Seriennummer **606** dem Standard EN 60974-1
gemäß den Bedingungen der Direktive (73/23/EEG) mit Zusatz (93/68/EEG) und dem Standard EN
60974-10 gemäß den Bedingungen der Direktive (89/336/EEG) mit Zusatz (93/68/EEG) entspricht.

CERTIFICAT DE CONFORMITÉ

ESAB AB, Welding Equipment, S-695 81 Laxå Suède, certifie que la source de courant de soudage
LAF 635 / LAF 635 R à partir du numéro de série **606** est conforme à la norme EN 60974-1 selon les
conditions de la directive (73/23/CEE) avec additif (93/68/CEE) et à la norme EN 60974-10 selon les
conditions de la directive (89/336/CEE) avec additif (93/68/CEE).

VERKLARING VAN OVEREENSTEMMING

ESAB AB, Welding Equipment, S-695 81 Laxå, Zweden, verklaart geheel onder eigen verantwoorde-
lijkheid dat lasstroombron **LAF 635 / LAF 635 R** van het serienummer **606** in overeenstemming is met
norm EN 60974-1 conform de bepalingen in richtlijn (73/23/EEG) met de annex (93/68/EEG) en met
norm EN 60974-10 conform de bepalingen in richtlijn (89/336/EEG) met annex (93/68/EEG).

DECLARACIÓN DE CONFORMIDAD

ESAB AB, Welding Equipment, S-695 81 Laxå, Suecia, garantiza bajo propia responsabilidad que la
fuente de corriente para soldadura **LAF 635 / LAF 635 R** a partir del número de serie **606** concuerda
con la norma EN 60974-1 conforme a la directiva (73/23/CEE) con el suplemento (93/68/CEE) y con
la norma EN 60974-10 según los requisitos de la directiva (89/336/CEE) con el suplemento
(93/68/CEE).

DICHIARAZIONE DI CONFORMITÀ

ESAB AB, Welding Equipment, S-695 81 Laxå, Svezia, dichiara sotto la propria responsabilità che il
generatore per saldatura **LAF 635 / LAF 635 R** con numero di serie a partire da **606** è conforme alla
norma EN 60974-1 come previsto dalla direttiva (73/23/CEE) e successive integrazioni (93/68/CEE)
ed alla norma EN 60974-10 come previsto dalla direttiva (89/336/CEE) e successive integrazioni
(93/68/CEE).

DECLARAÇÃO DE CONFORMIDADE

ESAB AB, Welding Equipment, S-695 81 Laxå, Suécia, garante sob responsabilidade de própria que a fonte de corrente para soldadura **LAF 635 / LAF 635 R** a partir do número de série **606** está em conformidade com a norma EN 60974-1 segundo os requisitos da directiva (73/23/CEE) com o suplemento (93/68/CEE) e com a norma EN 60974-10 segundo os requisitos da directiva (89/336/CEE) com o suplemento (93/68/CEE).

ΔΗΛΩΣΗ ΣΥΜΜΟΡΦΩΣΗΣ

Η εταιρεία ESAB AB, Welding Equipment, 695 81 Laxå, Σουηδία, δηλώνει ότι οι πηγές ρεύματος συγκόλλησης **LAF 635 / LAF 635 R** από τον αριθμό σειράς **606** και έπειτα, συμμορφώνονται με το πρότυπο EN 60974-1 σύμφωνα με τις απαιτήσεις της οδηγίας (73/23/EEG) και του παραρτήματος (93/68/EEG) και το πρότυπο EN 60974-10 σύμφωνα με τις απαιτήσεις της οδηγίας (89/336/EEG) και του παραρτήματος (93/68/EEG).

Laxå 2006-04-17

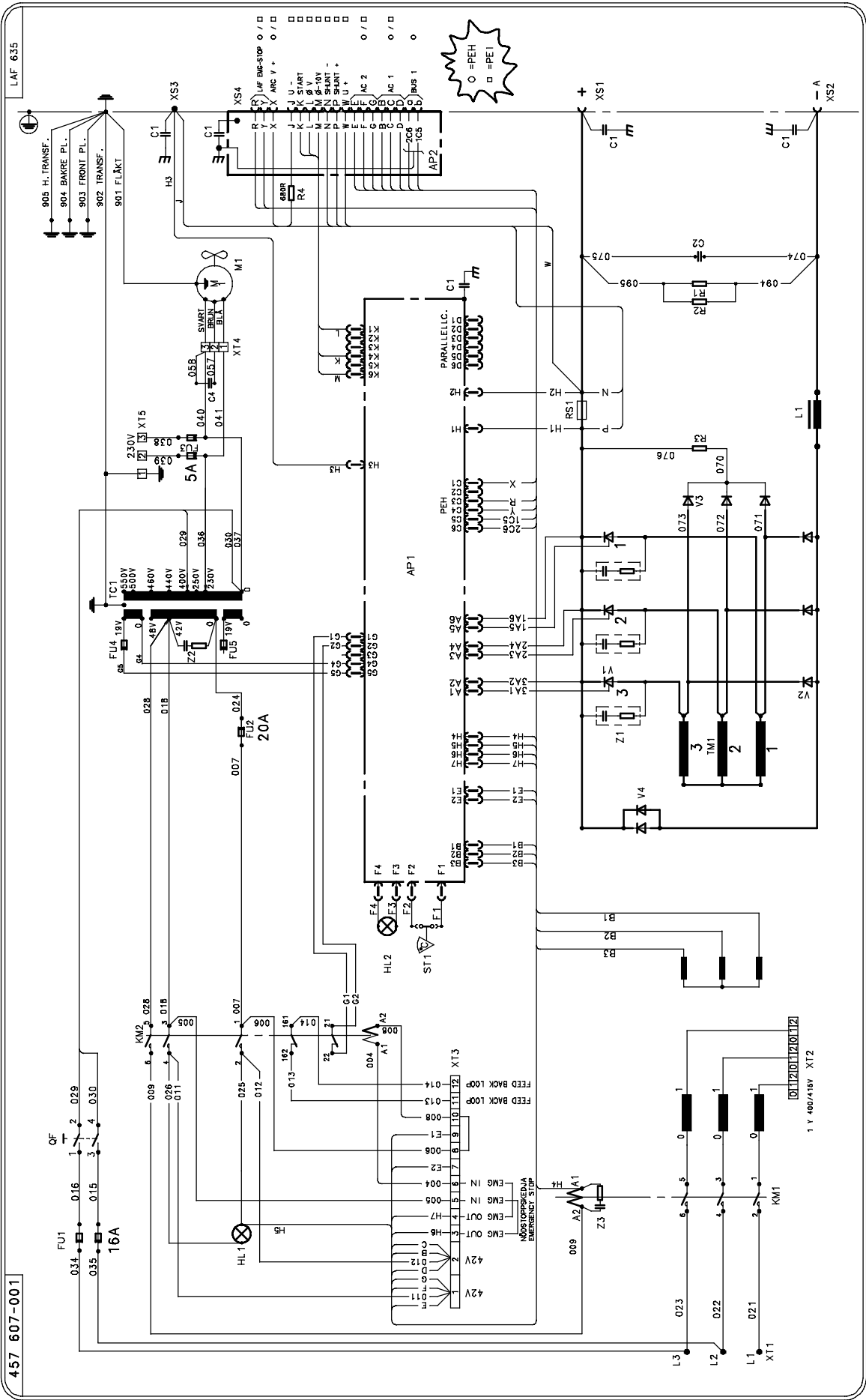


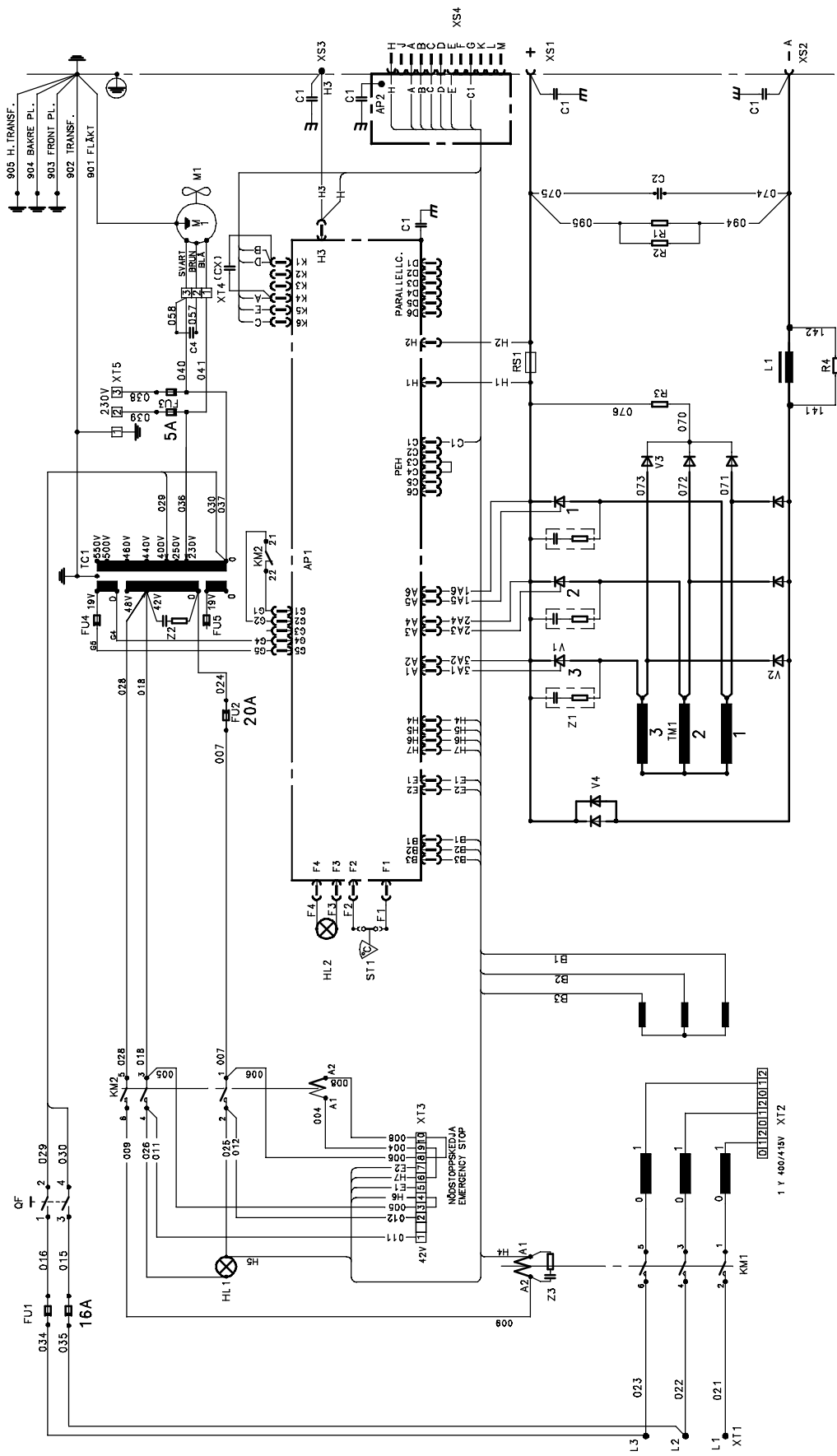
Kent Eimbrodt
Global Director
ESAB AB, Welding Equipment
SE-695 81 LAXÅ
SWEDEN

Tel: + 46 584 81000

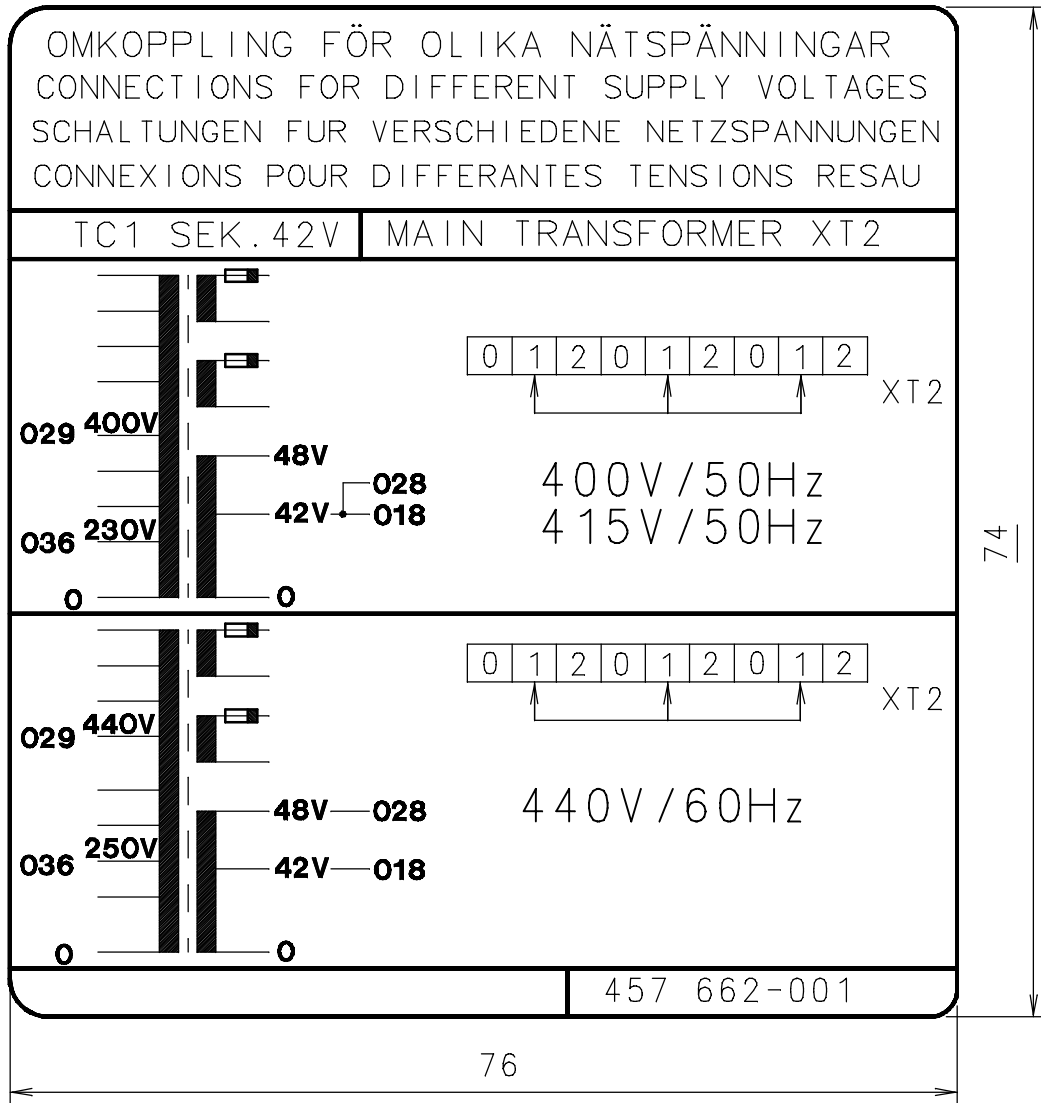
Fax: + 46 584 411721

Schema Skema Skjema Johdotuskaavio Diagram Schaltplan Schéma
 Schema Esquema Schema Esquema Σχήμα σύνδεσης



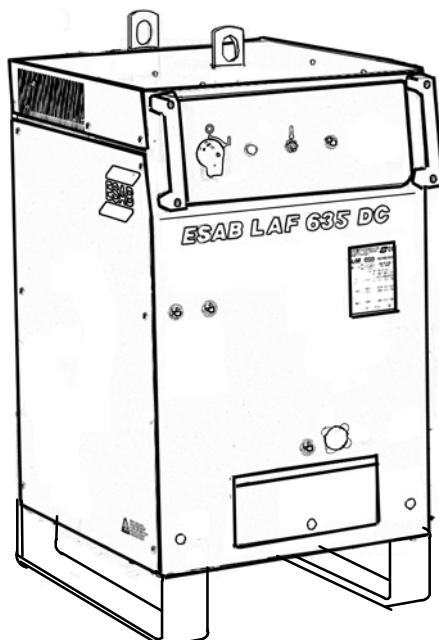


**Inkopplingsanvisning Tilkoblingsvejledning Innkoblingsanvisning Kyt-
 kentähje Connection instruction Anschlußanleitung Instructions de
 branchement Aansluitingsinstructies Instrucciones de conexión Istruzioni
 per il collegamento Instruções de ligação Οδηγίες σύνδεσης**



Reservdelsförteckning Reservdelsfortegnelse Reservdelsliste
 Varaosaluettelo Spare parts list Ersatzteilliste Liste de pièces détachées
 Reserveonderdelenlijst Lista de repuestos Elenco ricambi Lista de peças
 sobressalentes Πίνακας ανταλλακτικών μερών

Edition 2006-06-22

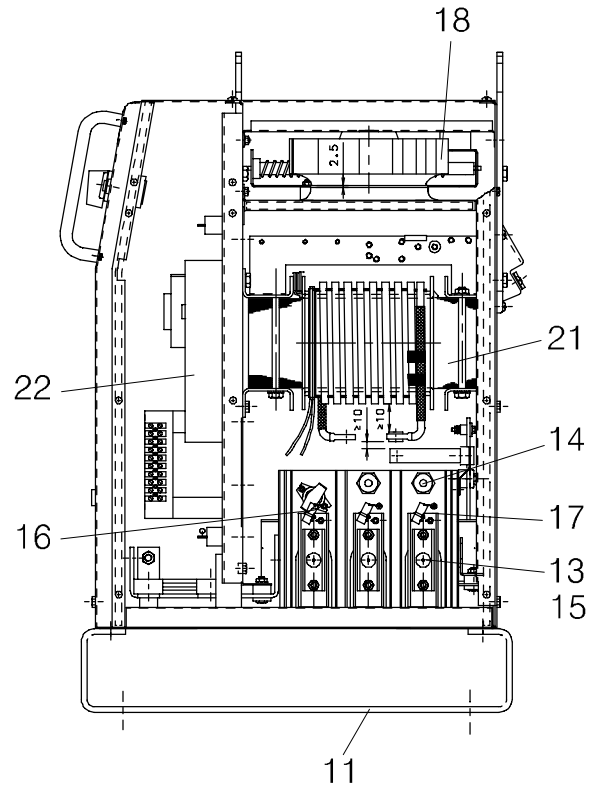
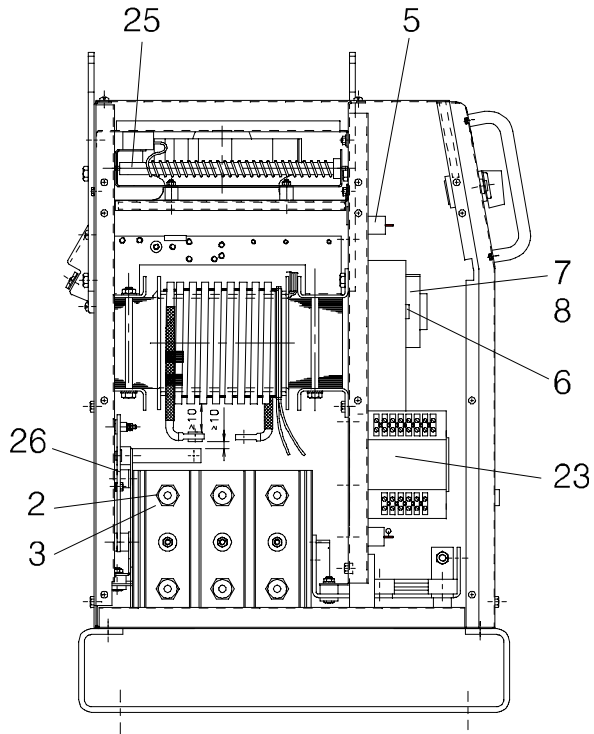
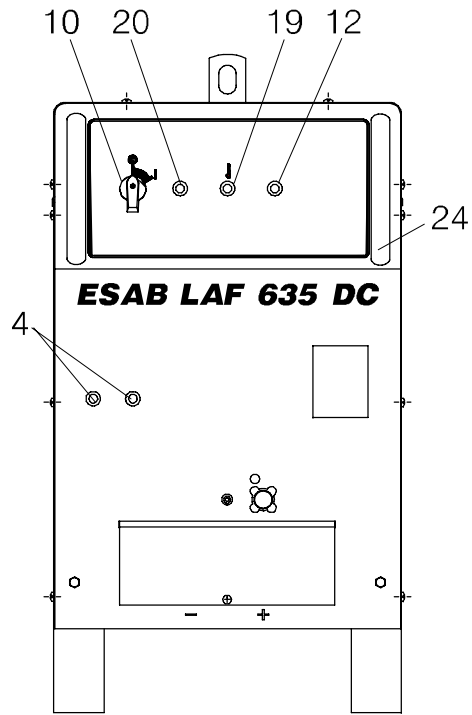


Ordering no.	Denomination	Notes
0457 350-880	Welding power source	LAF 635
0457 350-882	Welding power source	LAF 635R

Abbreviations used in the spare parts list:

C = Component designation in the circuit diagram

Item	Qty LAF 635R	Qty LAF 635	Ordering no.	Denomination	Notes	C
			0457 350 880	Welding power source	LAF 635	
			0457 350 882	Welding power source	LAF 635R	
2	1	1	0320 415 880	Diode bridge		
3	6	6	0490 600 626	Diode		V2
4	2	2	0193 586 101	Automatic fuse	5 A	FU3
5	1	1	0191 085 203	Capacitor		C4
6	2	2	0194 077 008	Automatic fuse	16 A, 400 V	FU1
7	1	1	0193 503 101	Contacteur		KM1
8	1	1	0193 296 101	Contacteur		KM2
10	1	1	0320 746 002	Main switch	Black	QF
11	2	2	0457 583 001	Foot		
12	1	1	0193 586 104	Automatic fuse	20 A	FU2
13	1	1	0320 620 881	Thyristor bridge		
14	2	2	0490 600 606	Diode		V4
15	3	3	0320 946 001	Thyristor		V1
16	1	1	0319 445 001	Thermal Relay		ST1
17	3	3	041 051 606	Contact protection		Z1
18	1	1	0369 827 001	Fan		M1
19	1	1	0192 576 303	Indicating lamp (yellow)		HL2
20	1	1	0192 576 004	Indicating lamp (white)		HL1
21	1	1	0467 970 882	Transformer		TM1
22	1	1	0486 368 880	Circuit board		AP1
23	1	1	0460 092 001	Control transformer		TC1
24	2	2	0467 176 001	Handle		
25	2	1	0321 003 881	Resistor		
26	1	1	0321 489 881	Base current bridge		



ESAB subsidiaries and representative offices

Europe

AUSTRIA

ESAB Ges.m.b.H
Vienna-Liesing
Tel: +43 1 888 25 11
Fax: +43 1 888 25 11 85

BELGIUM

S.A. ESAB N.V.
Brussels
Tel: +32 2 745 11 00
Fax: +32 2 745 11 28

THE CZECH REPUBLIC

ESAB VAMBERK s.r.o.
Prague
Tel: +420 2 819 40 885
Fax: +420 2 819 40 120

DENMARK

Aktieselskabet ESAB
Herlev
Tel: +45 36 30 01 11
Fax: +45 36 30 40 03

FINLAND

ESAB Oy
Helsinki
Tel: +358 9 547 761
Fax: +358 9 547 77 71

FRANCE

ESAB France S.A.
Cergy Pontoise
Tel: +33 1 30 75 55 00
Fax: +33 1 30 75 55 24

GERMANY

ESAB GmbH
Solingen
Tel: +49 212 298 0
Fax: +49 212 298 218

GREAT BRITAIN

ESAB Group (UK) Ltd
Waltham Cross
Tel: +44 1992 76 85 15
Fax: +44 1992 71 58 03

ESAB Automation Ltd

Andover
Tel: +44 1264 33 22 33
Fax: +44 1264 33 20 74

HUNGARY

ESAB Kft
Budapest
Tel: +36 1 20 44 182
Fax: +36 1 20 44 186

ITALY

ESAB Saldatura S.p.A.
Mesero (Mi)
Tel: +39 02 97 96 81
Fax: +39 02 97 28 91 81

THE NETHERLANDS

ESAB Nederland B.V.
Utrecht
Tel: +31 30 2485 377
Fax: +31 30 2485 260

NORWAY

AS ESAB
Larvik
Tel: +47 33 12 10 00
Fax: +47 33 11 52 03

POLAND

ESAB Sp.zo.o.
Katowice
Tel: +48 32 351 11 00
Fax: +48 32 351 11 20

PORTUGAL

ESAB Lda
Lisbon
Tel: +351 8 310 960
Fax: +351 1 859 1277

SLOVAKIA

ESAB Slovakia s.r.o.
Bratislava
Tel: +421 7 44 88 24 26
Fax: +421 7 44 88 87 41

SPAIN

ESAB Ibérica S.A.
Alcalá de Henares (MADRID)
Tel: +34 91 878 3600
Fax: +34 91 802 3461

SWEDEN

ESAB Sverige AB
Gothenburg
Tel: +46 31 50 95 00
Fax: +46 31 50 92 22

ESAB international AB

Gothenburg
Tel: +46 31 50 90 00
Fax: +46 31 50 93 60

SWITZERLAND

ESAB AG
Dietikon
Tel: +41 1 741 25 25
Fax: +41 1 740 30 55

North and South America

ARGENTINA

CONARCO
Buenos Aires
Tel: +54 11 4 753 4039
Fax: +54 11 4 753 6313

BRAZIL

ESAB S.A.
Contagem-MG
Tel: +55 31 2191 4333
Fax: +55 31 2191 4440

CANADA

ESAB Group Canada Inc.
Mississauga, Ontario
Tel: +1 905 670 02 20
Fax: +1 905 670 48 79

MEXICO

ESAB Mexico S.A.
Monterrey
Tel: +52 8 350 5959
Fax: +52 8 350 7554

USA

ESAB Welding & Cutting Products
Florence, SC
Tel: +1 843 669 44 11
Fax: +1 843 664 57 48

Asia/Pacific

CHINA

Shanghai ESAB A/P
Shanghai
Tel: +86 21 5308 9922
Fax: +86 21 6566 6622

INDIA

ESAB India Ltd
Calcutta
Tel: +91 33 478 45 17
Fax: +91 33 468 18 80

INDONESIA

P.T. ESABindo Pratama
Jakarta
Tel: +62 21 460 0188
Fax: +62 21 461 2929

JAPAN

ESAB Japan
Tokyo
Tel: +81 3 5296 7371
Fax: +81 3 5296 8080

MALAYSIA

ESAB (Malaysia) Snd Bhd
Selangor
Tel: +60 3 8027 9869
Fax: +60 3 8027 4754

SINGAPORE

ESAB Asia/Pacific Pte Ltd
Singapore
Tel: +65 6861 43 22
Fax: +65 6861 31 95

SOUTH KOREA

ESAB SeAH Corporation
Kyungnam
Tel: +82 55 269 8170
Fax: +82 55 289 8864

UNITED ARAB EMIRATES

ESAB Middle East FZE
Dubai
Tel: +971 4 887 21 11
Fax: +971 4 887 22 63

Representative offices

BULGARIA

ESAB Representative Office
Sofia
Tel/Fax: +359 2 974 42 88

EGYPT

ESAB Egypt
Dokki-Cairo
Tel: +20 2 390 96 69
Fax: +20 2 393 32 13

ROMANIA

ESAB Representative Office
Bucharest
Tel/Fax: +40 1 322 36 74

RUSSIA

LLC ESAB
Moscow
Tel: +7 095 543 9281
Fax: +7 095 543 9280

LLC ESAB

St Petersburg
Tel: +7 812 336 7080
Fax: +7 812 336 7060

Distributors

For addresses and phone numbers to our distributors in other countries, please visit our home page

www.esab.com



ESAB AB
SE-695 81 LAXÅ
SWEDEN
Phone +46 584 81 000



www.esab.com