



# **A2-A6**

# **Process Controller**

## **PEH**



**Bruksanvisning**  
**Brugsanvisning**  
**Bruksanvisning**  
**Käyttöohjeet**  
**Instruction manual**  
**Betriebsanweisung**

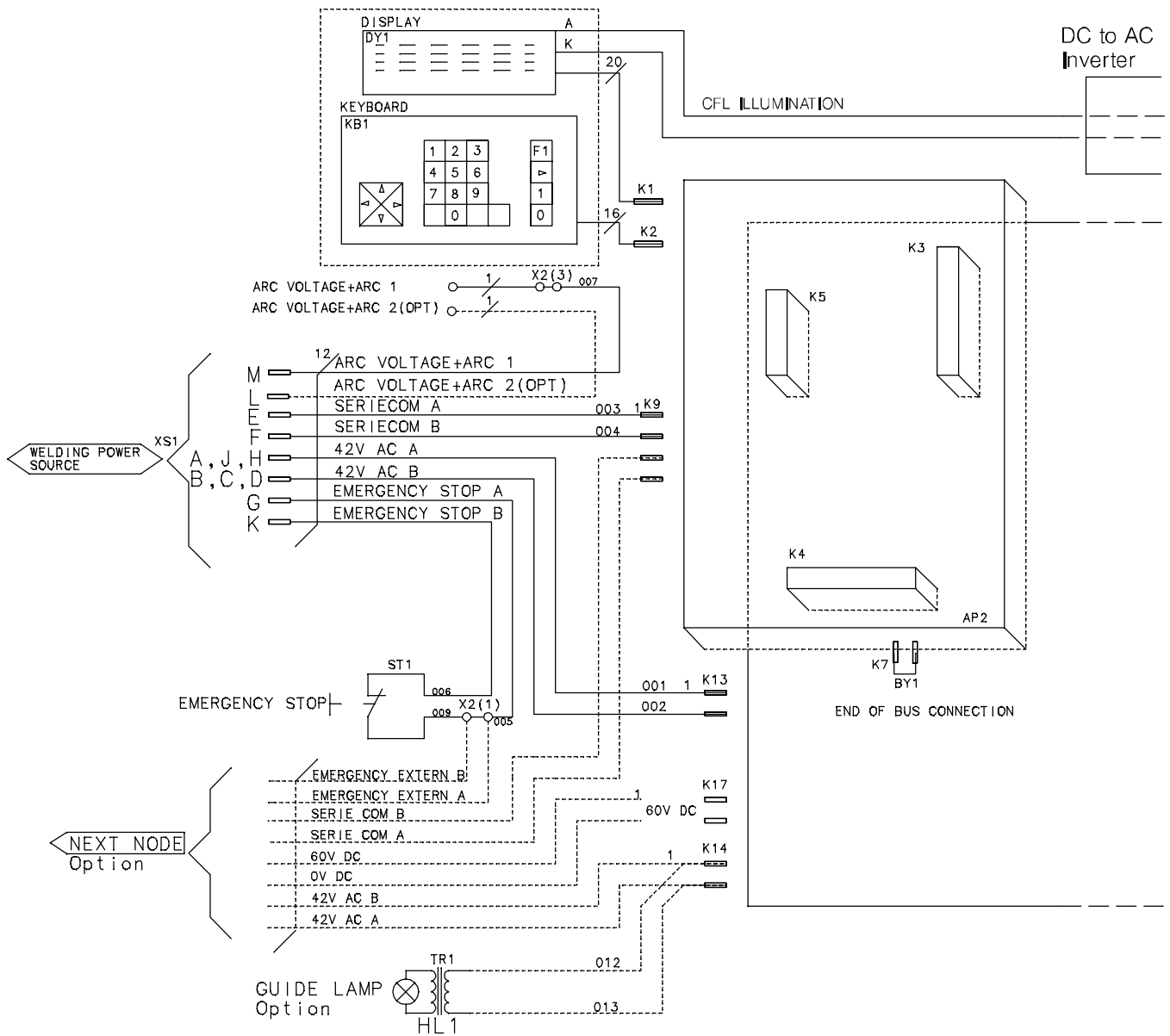
**Manuel d'instructions**  
**Gebruiksaanwijzing**  
**Instrucciones de uso**  
**Istruzioni per l'uso**  
**Manual de instruções**  
**Οδηγίες χρήσεως**

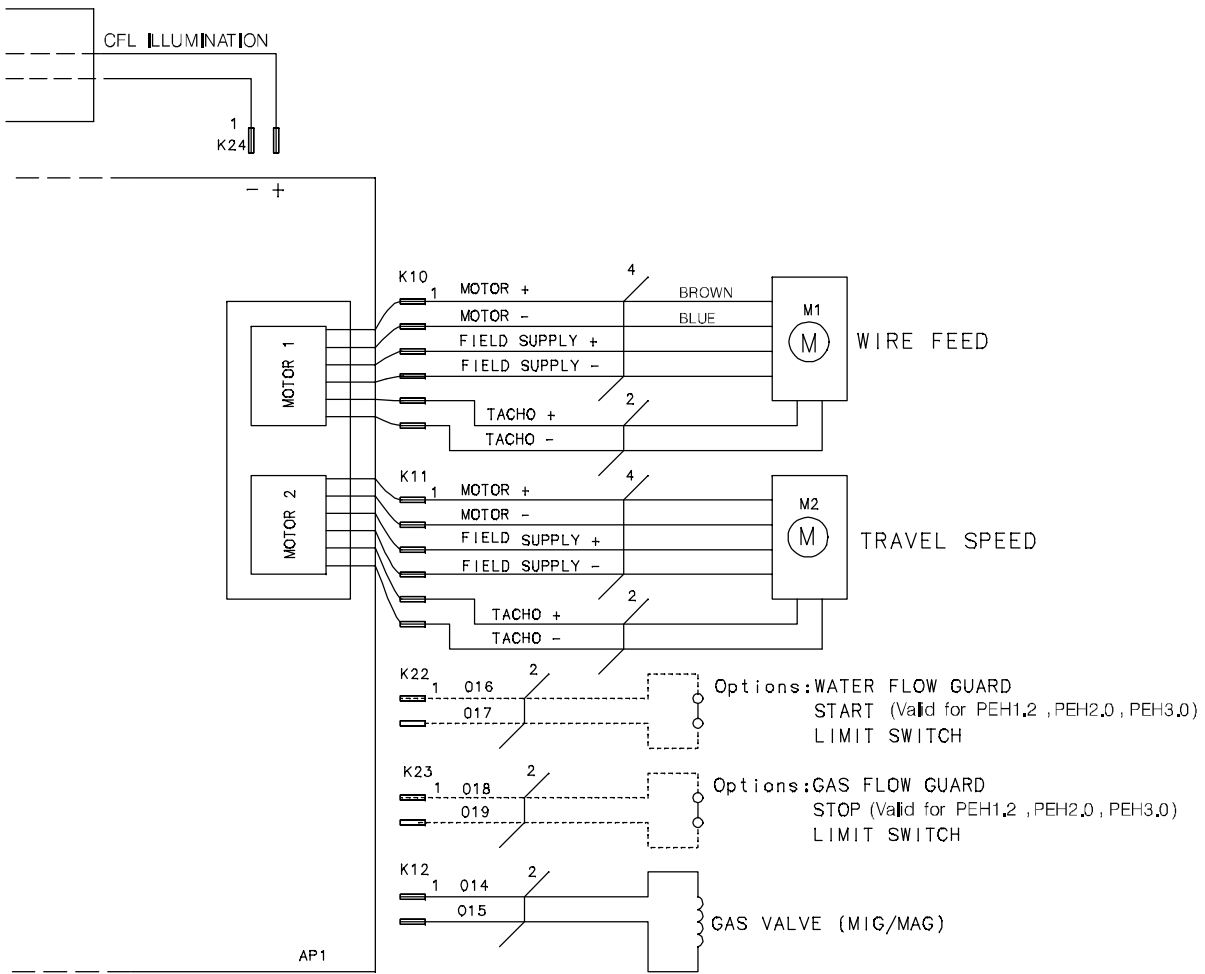
SVENSKA .....	5
DANSK .....	24
NORSK .....	43
SUOMI .....	62
ENGLISH .....	81
DEUTSCH .....	100
FRANÇAIS .....	119
NEDERLANDS .....	139
ESPAÑOL .....	158
ITALIANO .....	178
PORTUGUÊS .....	197
ΕΛΛΗΝΙΚΑ .....	216

Rätt till ändring av specifikationer utan avisering förbehålles.  
Ret til ændring af specifikationer uden varsel forbeholdes.  
Ret til å ændre spesifikasjoner uten varsel forbeholdes.  
Oikeudet muutoksiin pidätetään.  
Rights reserved to alter specifications without notice.  
Änderungen vorbehalten.  
Sous réserve de modifications sans avis préalable.  
Recht op wijzigingen zonder voorafgaande mededeling voorbehouden.  
Reservado el derecho de cambiar las especificaciones sin previo aviso.  
Ci riserviamo il diritto di variare le specifiche senza preavviso.  
Reservamo-nos o direito de alterar as especificações sem aviso prévio.  
Διατηρείται το δικαίωμα τροποποίησης προδιαγραφών Χωρίς προειδοποίηση.



Schema Skema Skjema Johdotuskaavio Diagram Schaltplan Schéma  
 Schema Esquema Schema Esquema Σχήμα σύνδεσης

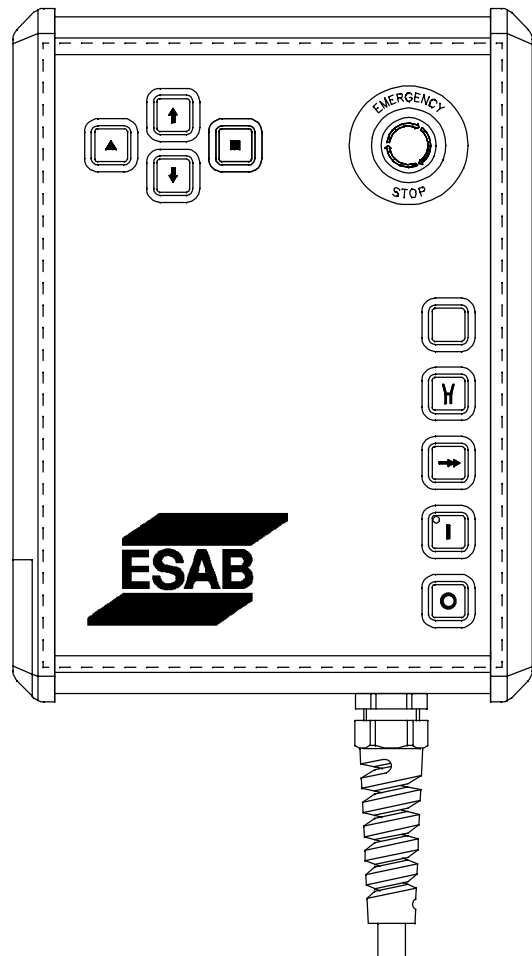




**Tillbehör Tilbehør Tilbehør Lisävarusteet Accessories Zubehör  
Accessoires Accessoires Accesorios Accessori Acessórios Αξεσουαρ**

Remote control **PHH1**, incl. cable (5m)

Ordering no: 0449 040 880



Reservdelsförteckning Reservdelsfortegnelse Reservdelsliste  
Varaosaluettelo Spare parts list Ersatzteilliste Liste de pièces détachées  
Reserveonderdelenlijst Lista de repuestos Elenco ricambi Lista de peças  
sobressalentes Πίνακας ανταλλακτικών μερών

## A2-A6 Process Controller (PEH)

Edition 2002-09-17

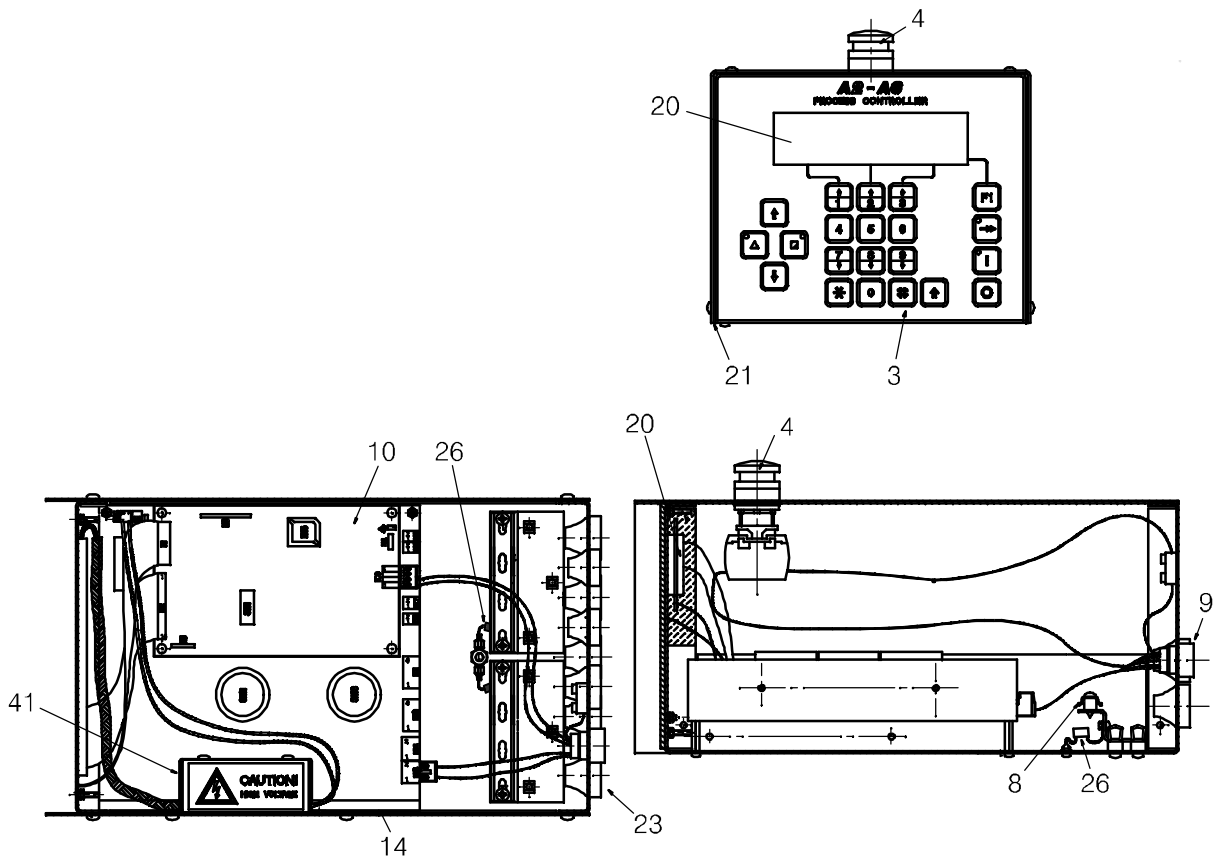


Ordering no.	Denomination	Notes
0443 741 880	Control box	A2-A6 Process Controller (PEH)

### Abbreviations used in the spare parts list:

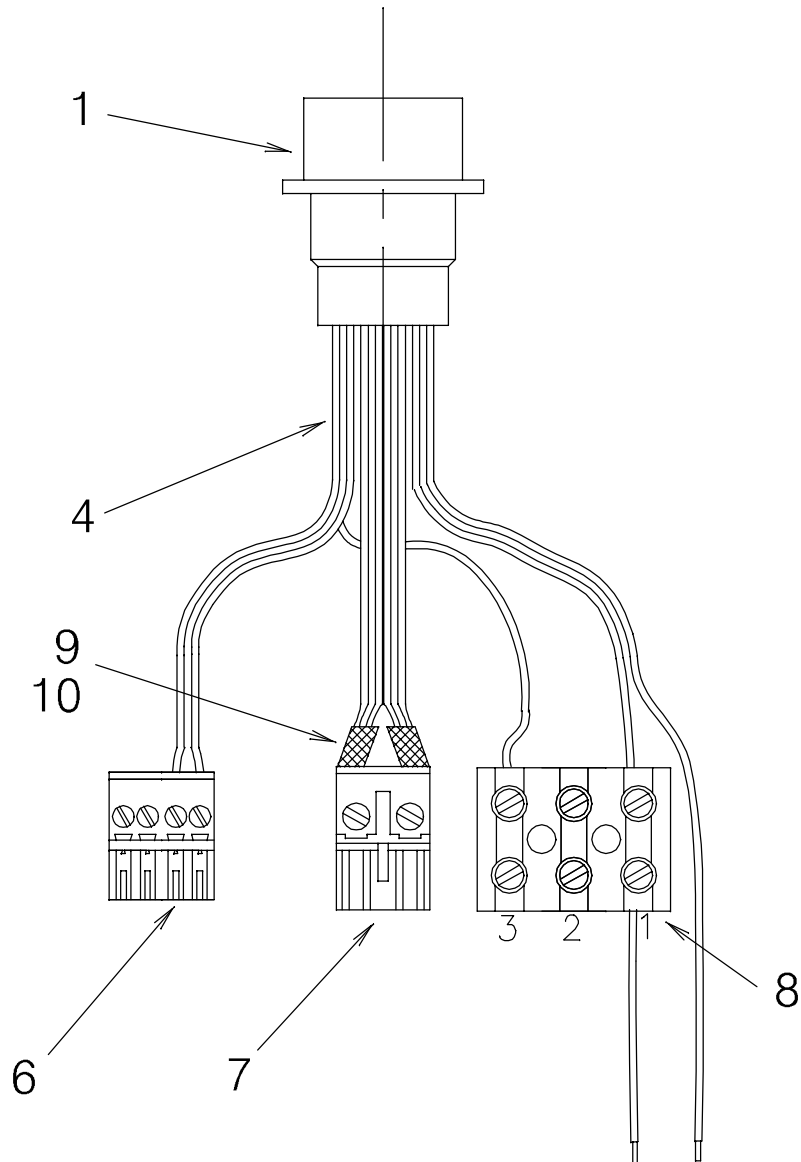
C = Component designation in the circuit diagram

Item no.	Qty	Ordering no.	Denomination	Notes	C
		<b>0443741880</b>	<b>CONTROL BOX PEH</b>		
3	1	0443638880	Control panel		KB1
4	1	0443740001	Emergency stop		ST1
8	2	0457278001	Rail		
9	1	0443748880	Cable complete		XS1
10		0443730880	Circuit board		AP1 + AP2
14	1	0443849001	Insulation		
20	1	0449130001	Display, ccf1 backlight		DY1
21		0192526003	Sealing strip	530 mm	
23	10	0192645002	Bushing		
26	2	0467911884	Capacitor	Valid from programversion PEH1.2	
41	1	0449137880	Inverter with screen box		

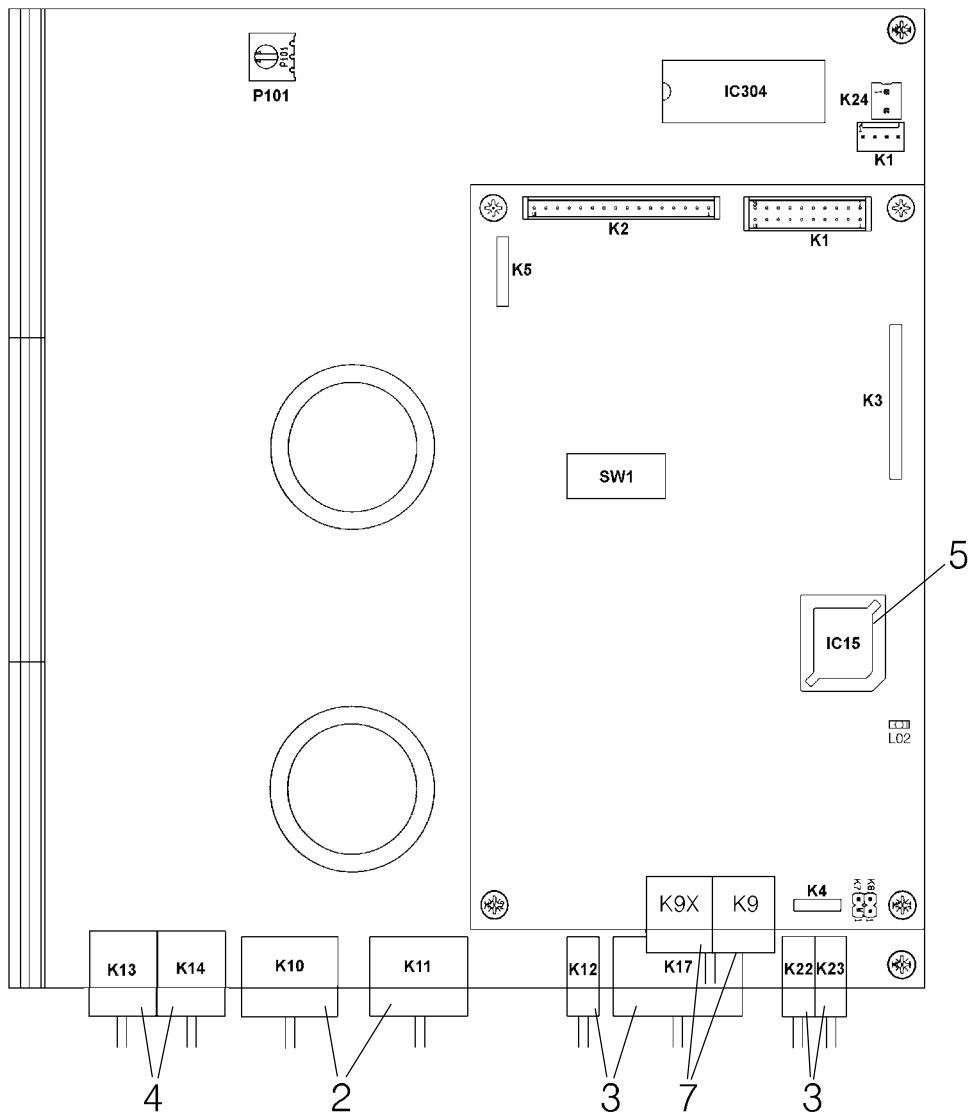




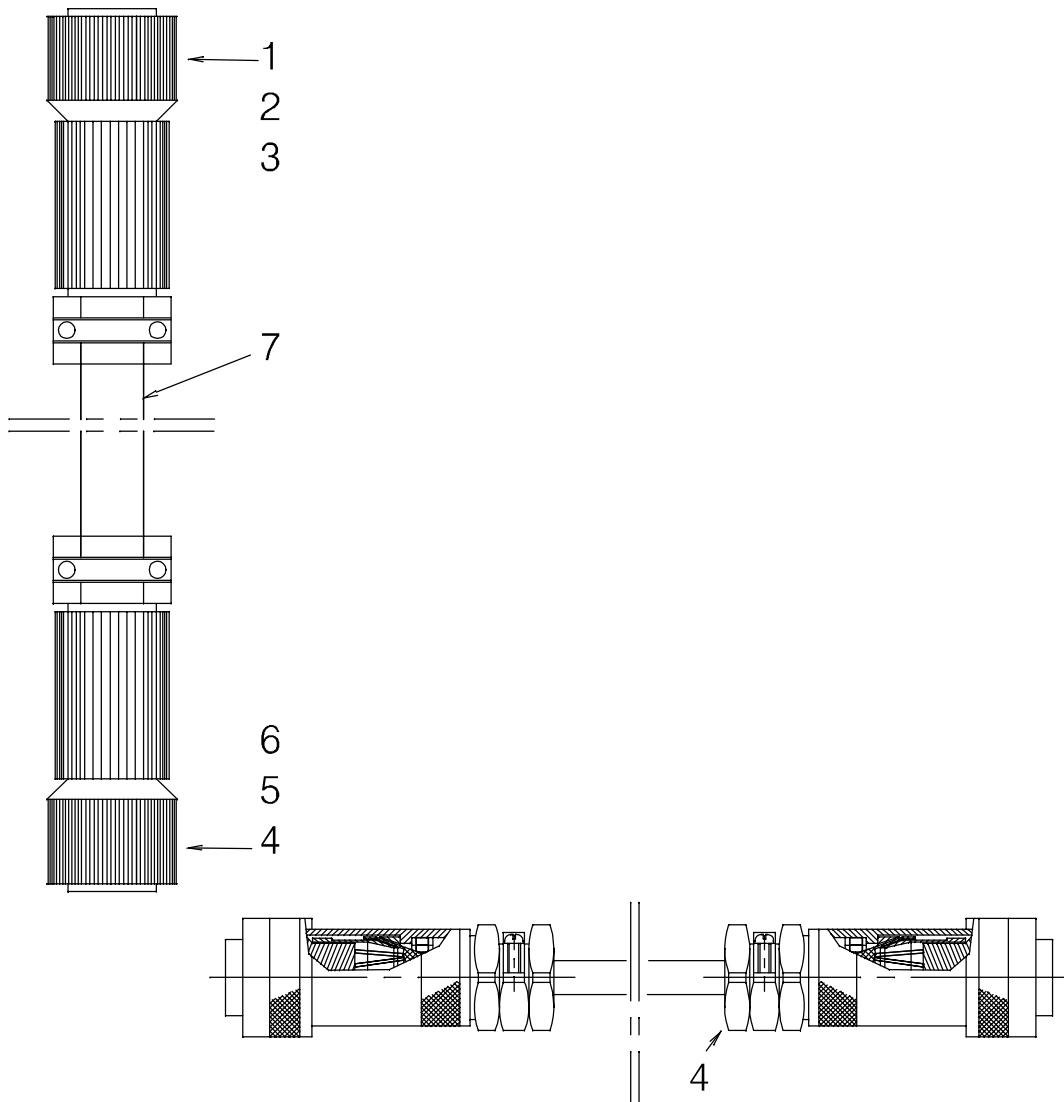
Item no.	Qty	Ordering no.	Denomination	Notes
		<b>0443 748 880</b>	<b>Cable with connectors</b>	
1	1	0368 543 003	Pin socket, Burndy	
4	1	0443 841 880	Cable set	
6	1	0456 489 005	Circuit board connection	
7	1	0456 489 004	Circuit board connection	
8	1	0193 275 002	Connection block	3 pole
9		0190 209 109	Hose	
10	2	0192 541 003	Pin cable clip	2,5 mm <sup>2</sup>



Item no.	Qty	Ordering no.	Denomination	Notes	C
		<b>0443 730 880</b>	<b>Circuit board</b>		<b>AP1 + AP2</b>
2		0456 489 002	Connection terminal	6 poles	K10, K11
3		0456 489 001	Connection terminal	2 poles	K12, K17, K22, K23
4		0456 489 004	Connection terminal	2 poles	K13, K14
5	1	0486 471 880	Flash memory		IC15
7		0456 489 005	Connection terminal	4 poles	K9, K9X



Item no.	Qty	Ordering no.	Denomination	Notes
		0456 500 880	Control Cable	L = 15 m, Accessories
		0456 500 881	Control Cable	L = 25 m, Accessories
		0456 500 882	Control Cable	L = 35 m, Accessories
		0456 500 883	Control Cable	L = 50 m, Accessories
		0456 500 884	Control Cable	L = 75 m, Accessories
		0456 500 885	Control Cable	L = 100 m, Accessories
1	1	0368 541 303	Pin plug, Burndy	12 pole
2	3	0323 945 004	Pin contact	0,52 - 1,50
3	5	0323 945 001	Pin contact	0,32 - 0,52
4	1	0368 542 303	Sleeve plug, Burndy	12 pole
5	5	0323 945 002	Sleeve contact	0,32 - 0,52
6	3	0323 945 003	Sleeve contact	0,52 - 1,50
7		0193 963 001	Cable, screened	
8	4	0323 945 008	Pin contact	Max 2,50
9	4	0323 945 007	Sleeve contact	Max 2,50



# ESAB subsidiaries and representative offices

## Europe

### AUSTRIA

ESAB Ges.m.b.H  
Vienna-Liesing  
Tel: +43 1 888 25 11  
Fax: +43 1 888 25 11 85

### BELGIUM

S.A. ESAB N.V.  
Brussels  
Tel: +32 2 745 11 00  
Fax: +32 2 726 80 05

### THE CZECH REPUBLIC

ESAB VAMBERK s.r.o.  
Prague  
Tel: +420 2 819 40 885  
Fax: +420 2 819 40 120

### DENMARK

Aktieselskabet ESAB  
Copenhagen-Valby  
Tel: +45 36 30 01 11  
Fax: +45 36 30 40 03

### FINLAND

ESAB Oy  
Helsinki  
Tel: +358 9 547 761  
Fax: +358 9 547 77 71

### FRANCE

ESAB France S.A.  
Cergy Pontoise  
Tel: +33 1 30 75 55 00  
Fax: +33 1 30 75 55 24

### GERMANY

ESAB GmbH  
Solingen  
Tel: +49 212 298 0  
Fax: +49 212 298 204

### GREAT BRITAIN

ESAB Group (UK) Ltd  
Waltham Cross  
Tel: +44 1992 76 85 15  
Fax: +44 1992 71 58 03

### ESAB Automation Ltd

Andover  
Tel: +44 1264 33 22 33  
Fax: +44 1264 33 20 74

### HUNGARY

ESAB Kft  
Budapest  
Tel: +36 1 20 44 182  
Fax: +36 1 20 44 186

### ITALY

ESAB Saldatura S.p.A.  
Mesero (Mi)  
Tel: +39 02 97 96 81  
Fax: +39 02 97 28 91 81

### THE NETHERLANDS

ESAB Nederland B.V.  
Utrecht  
Tel: +31 30 248 59 22  
Fax: +31 30 248 52 60

## NORWAY

AS ESAB  
Larvik  
Tel: +47 33 12 10 00  
Fax: +47 33 11 52 03

## POLAND

ESAB Sp.z.o.o  
Warszaw  
Tel: +48 22 813 99 63  
Fax: +48 22 813 98 81

## PORTUGAL

ESAB Lda  
Lisbon  
Tel: +351 1 837 1527  
Fax: +351 1 859 1277

## SLOVAKIA

ESAB Slovakia s.r.o.  
Bratislava  
Tel: +421 7 44 88 24 26  
Fax: +421 7 44 88 87 41

## SPAIN

ESAB Ibérica S.A.  
Alcobendas (Madrid)  
Tel: +34 91 623 11 00  
Fax: +34 91 661 51 83

## SWEDEN

ESAB Sverige AB  
Gothenburg  
Tel: +46 31 50 95 00  
Fax: +46 31 50 92 22

### ESAB International AB

Gothenburg  
Tel: +46 31 50 90 00  
Fax: +46 31 50 93 60

## SWITZERLAND

ESAB AG  
Dietikon  
Tel: +41 1 741 25 25  
Fax: +41 1 740 30 55

## North and South America

### ARGENTINA

CONARCO  
Buenos Aires  
Tel: +54 11 4 753 4039  
Fax: +54 11 4 753 6313

### BRAZIL

ESAB S.A.  
Contagem-MG  
Tel: +55 31 333 43 33  
Fax: +55 31 361 31 51

### CANADA

ESAB Group Canada Inc.  
Mississauga, Ontario  
Tel: +1 905 670 02 20  
Fax: +1 905 670 48 79

### MEXICO

ESAB Mexico S.A.  
Monterrey  
Tel: +52 8 350 5959  
Fax: +52 8 350 7554

### USA

ESAB Welding & Cutting Products  
Florence, SC  
Tel: +1 843 669 44 11  
Fax: +1 843 664 44 58

## Asia/Pacific

### AUSTRALIA

ESAB Australia Pty Ltd  
Ermington  
Tel: +61 2 9647 1232  
Fax: +61 2 9748 1685

### CHINA

Shanghai ESAB A/P  
Shanghai  
Tel: +86 21 6539 7124  
Fax: +86 21 6543 6622

### INDIA

ESAB India Ltd  
Calcutta  
Tel: +91 33 478 45 17  
Fax: +91 33 468 18 80

### INDONESIA

P.T. Esabindo Pratama  
Jakarta  
Tel: +62 21 460 01 88  
Fax: +62 21 461 29 29

### MALAYSIA

ESAB (Malaysia) Snd Bhd  
Selangor  
Tel: +60 3 703 36 15  
Fax: +60 3 703 35 52

### SINGAPORE

ESAB Singapore Pte Ltd  
Singapore  
Tel: +65 861 43 22  
Fax: +65 861 31 95

### ESAB Asia/Pacific Pte Ltd

Singapore  
Tel: +65 861 74 42  
Fax: +65 863 08 39

### SOUTH KOREA

ESAB SeAH Corporation  
Kyung-Nam  
Tel: +82 551 289 81 11  
Fax: +82 551 289 88 63

### UNITED ARAB EMIRATES

ESAB Middle East  
Dubai  
Tel: +971 4 338 88 29  
Fax: +971 4 338 87 29

## Representative offices

### BULGARIA

ESAB Representative Office  
Sofia  
Tel/Fax: +359 2 974 42 88

### EGYPT

ESAB Egypt  
Dokki-Cairo  
Tel: +20 2 390 96 69  
Fax: +20 2 393 32 13

### ROMANIA

ESAB Representative Office  
Bucharest  
Tel/Fax: +40 1 322 36 74

### RUSSIA-CIS

ESAB Representative Office  
Moscow  
Tel: +7 095 937 98 20  
Fax: +7 095 937 95 80

### ESAB Representative Office

St Petersburg  
Tel: +7 812 325 43 62  
Fax: +7 812 325 66 85

## Distributors

*For addresses and phone numbers to our distributors in other countries, please visit our home page*

[www.esab.com](http://www.esab.com)



ESAB AB  
SE-695 81 LAXÅ  
SWEDEN  
Phone +46 584 81 000  
Fax +46 584 123 08

[www.esab.com](http://www.esab.com)

