



# **TAE**

# **800/1250**

**Svetslikriktare**  
**Svejseensretter**  
**Likeretter for sveising**  
**Hitsaustasasuuntaaja**  
**Welding rectifier**  
**Schweißgleichrichter**  
**Redresseur de soudage**  
**Lasgelijkrichter**  
**Rectificador de soldadura**  
**Raddrizzatore per saldatura**  
**Rectificador de soldagem**  
**Ανορθωτής συγκόλλησης**

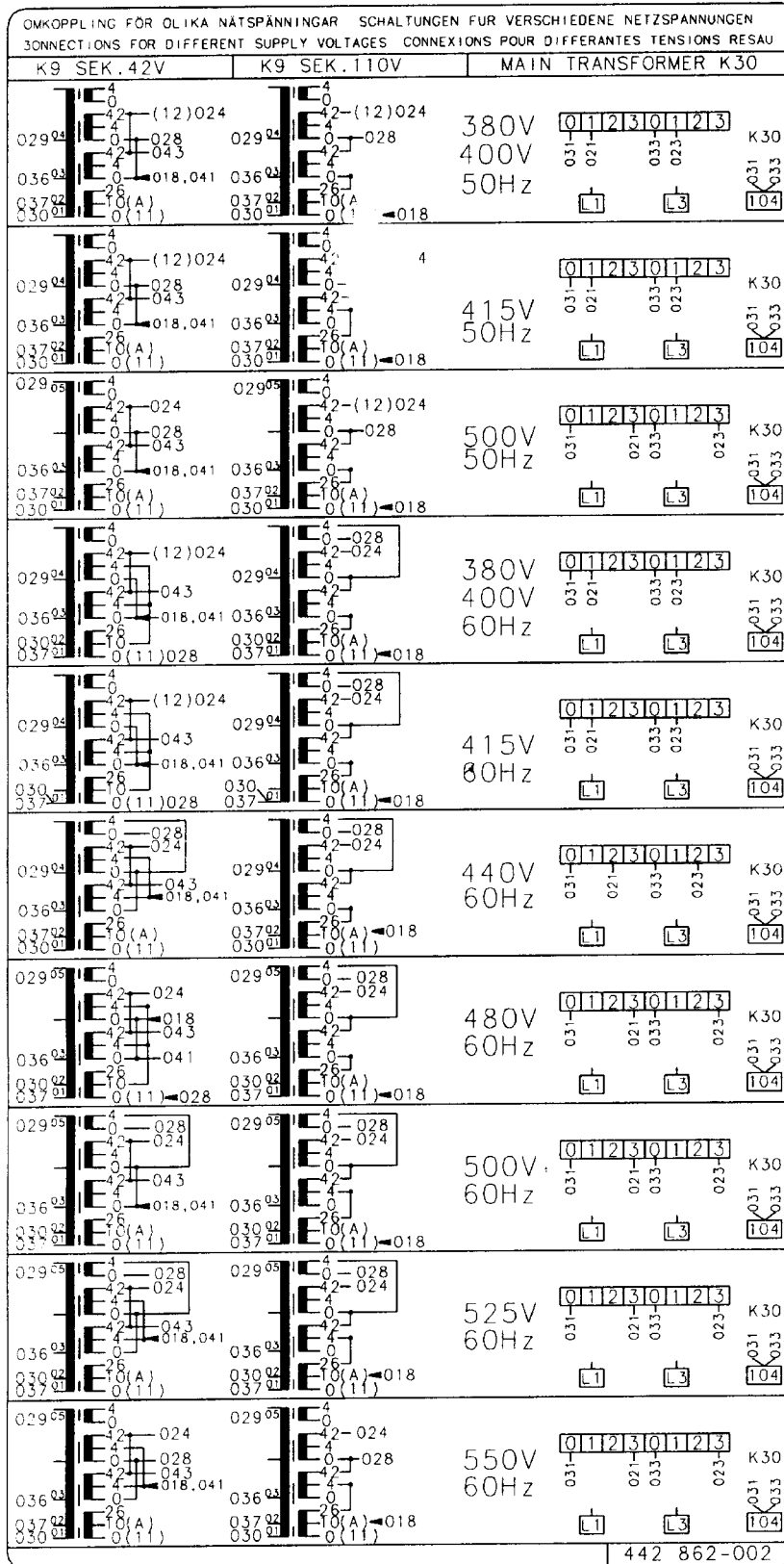
**Bruksanvisning**  
**Brugsanvisning**  
**Bruksanvisning**  
**Käyttöohjeet**  
**Instruction manual**  
**Betriebsanweisung**

**Manual d'instructions**  
**Gebruiksaanwijzing**  
**Instrucciones de uso**  
**Istruzioni per l'uso**  
**Manual de instruções**  
**Οδηγίες χρήσεως**

SVENSKA .....	3
DANSK .....	8
NORSK .....	13
SUOMI .....	18
ENGLISH .....	23
DEUTSCH .....	28
FRANÇAIS .....	33
NEDERLANDS .....	38
ESPAÑOL .....	43
ITALIANO .....	49
PORTUGUÊS .....	54
ΕΛΛΗΝΙΚΑ .....	59

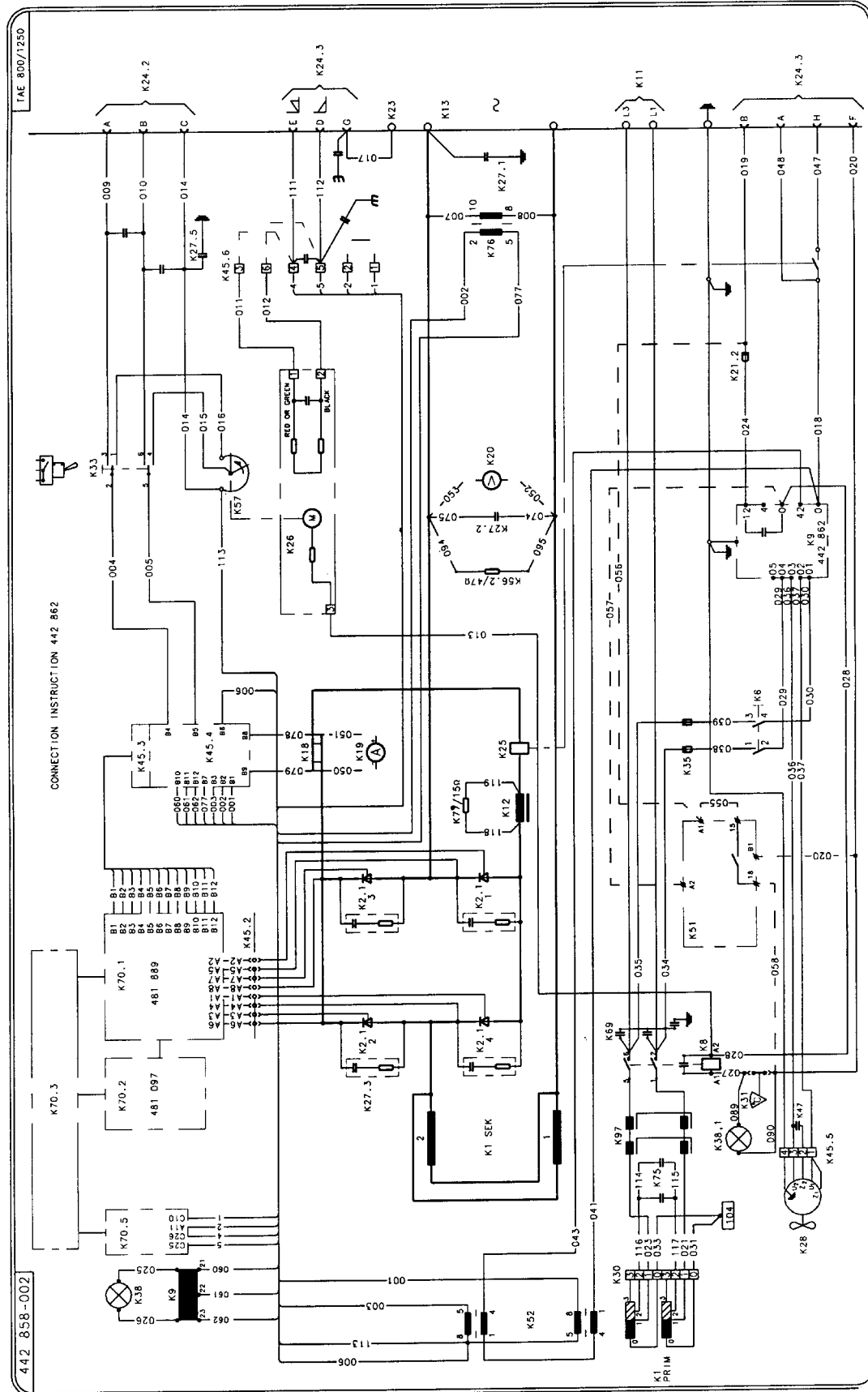
Rätt till ändring av specifikationer utan avisering förbehålles.  
Ret til ændring af specifikationer uden varsel forbeholdes.  
Ret til å ændre spesifikasjoner uten varsel forbeholdes.  
Oikeudet muutoksiin pidätetään.  
Rights reserved to alter specifications without notice.  
Änderungen vorbehalten.  
Sous réserve de modifications sans avis préalable.  
Recht op wijzigingen zonder voorafgaande mededeling voorbehouden.  
Reservado el derecho de cambiar las especificaciones sin previo aviso.  
Ci riserviamo il diritto di variare le specifiche senza preavviso.  
Reservamo-nos o direito de alterar as especificações sem aviso prévio.  
Διατηρείται το δικαίωμα τροποποίησης προδιαγραφών Χωρίς προειδοποίηση.

**Inkopplingsanvisning Tilkoblingsvejledning Innkoblingsanvisning Kyt-kentähje Connection instruction Anschlußanleitung Instructions de branchement Aansluitingsinstructies Instrucciones de conexión Istruzioni per il collegamento Instruções de ligação Οδηγίες σύνδεσης**



442 862-002

Schema Skema Skjema Johdotuskaavio Diagram Schaltplan Schéma  
 Schema Esquema Schema Esquema Σχήμα σύνδεσης



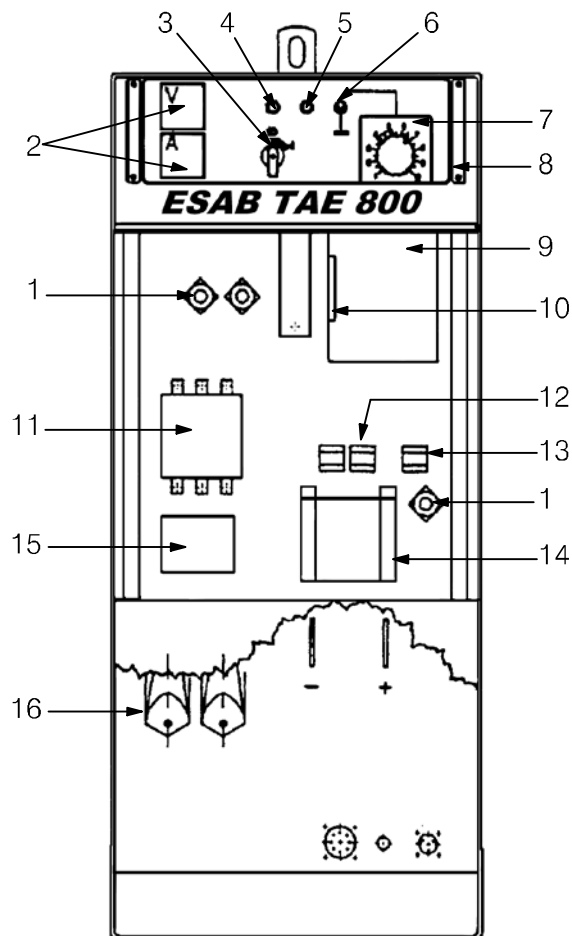
Reservdelsförteckning Reservdelsfortegnelse Reservdelsliste  
Varaosaluettelo Spare parts list Ersatzteilliste Liste de pièces détachées  
Reserveonderdelenlijst Lista de repuestos Elenco ricambi Lista de peças  
sobressalentes Πίνακας ανταλλακτικών μερών

**TAE 800 / TAE 1250**

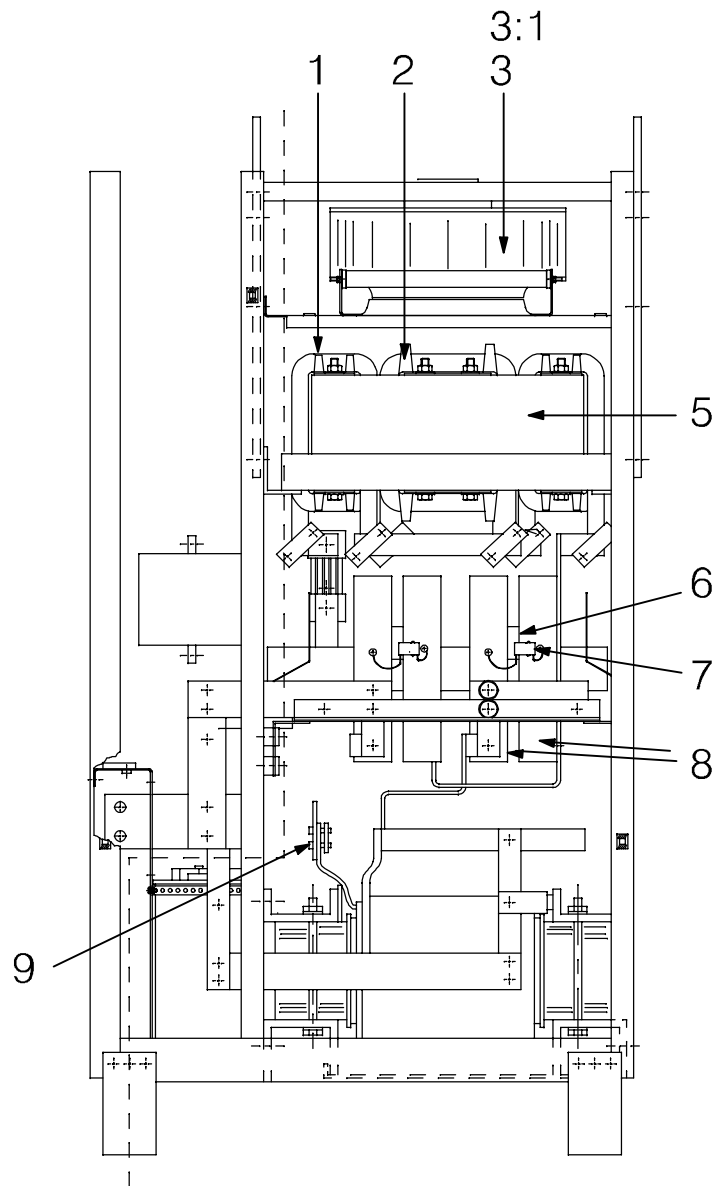
Edition 060213

Ordering no.	Denomination	Notes
0442851880 → 0442851882	TAE 800	
0442852880 → 0442852882	TAE 1250	

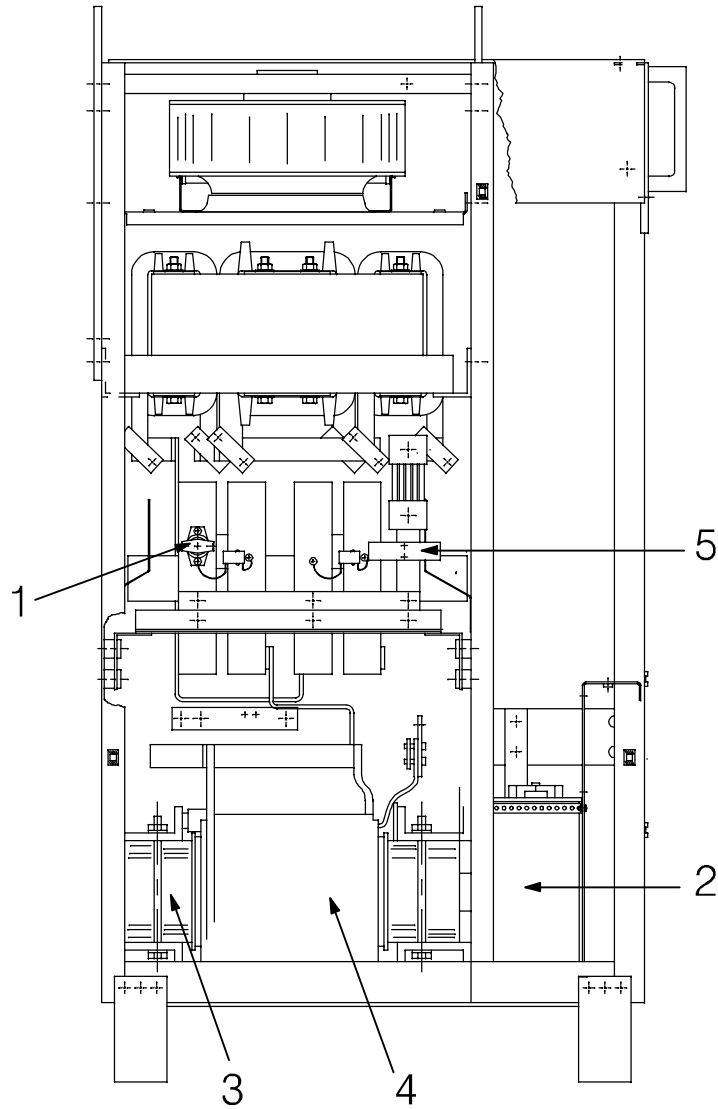
Item no.	Qty	Ordering no.	Denomination	Notes
		<b>0442851880</b>	<b>Welding power source</b>	<b>TAE 800</b>
		<b>0442851881</b>	<b>Welding power source</b>	<b>TAE 800</b>
		<b>0442851882</b>	<b>Welding power source</b>	<b>TAE 800</b>
1	1	0567200610	Spacer	
2	1	0320289880	Volt- and ammeter	
3	1	0320746001	Main switch	
4	1	0192576004	Indicating lamp	
5		0192576304	Indicating lamp (yellow)	42 - 48 V
6	1	0147866001	Switch	
7	1	0218810781	Knob	
8	2	0156388001	Handle	
9	1	0481889880	PC-board	
10	1	0481097884	Regulator	
11	1	0442849880	Contactora	
12	2	0319828001	Transformer	
13	1	0442877001	Transformer	
14	1	0319470015	Control transformer	1500 VA, 42/110 V
15		0486178880	PC-board (EMC)	
16		0158115880	Cable inlet	



Item no.	Qty	Ordering no.	Denomination	Notes
1	2	0318042882	Coil (inductor)	
2	1	0442906880	Coil (inductor)	
3	1	0460004880	Fan complete	
3:1		0459983880	Fan	
5	1	0442763880	Inductor	
6	4	0442972001	Main thyristor	
7	4	0041051606	Transient protection	
8	4	0442993880	Thyristor bridge	
9	1	0442719880	List complete	

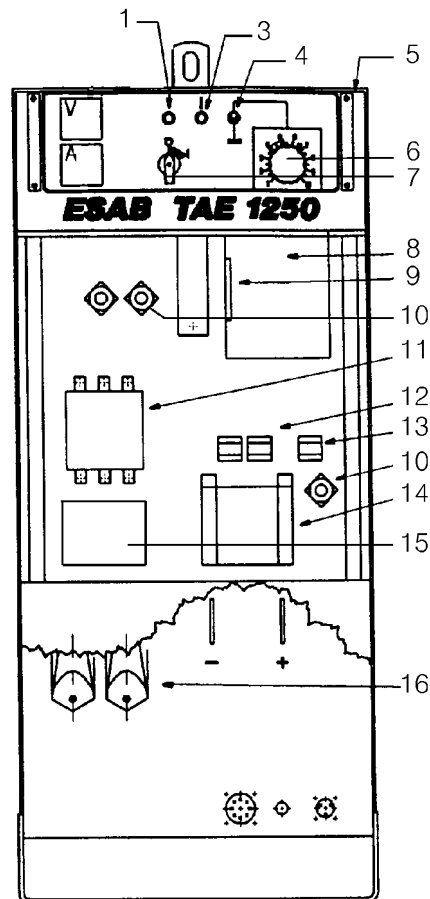


Item no.	Qty	Ordering no.	Denomination	Notes
1	1	0319445001	Thermal switch	
2	2	0442846001	Capacitor	
3	1	0442717880	Main transformer	
4	2	0442718880	Coil	
5	1	0040887080	Current relay	

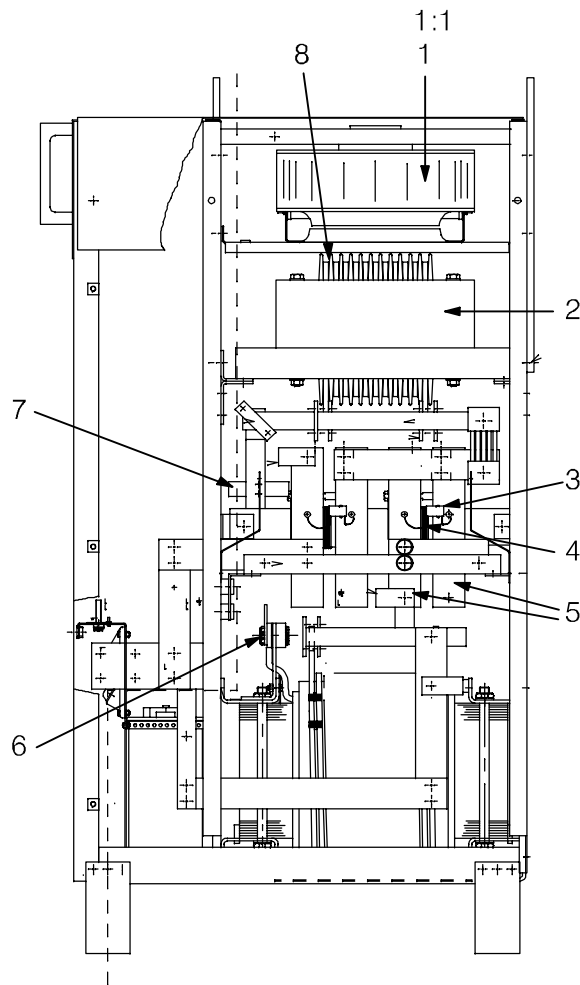




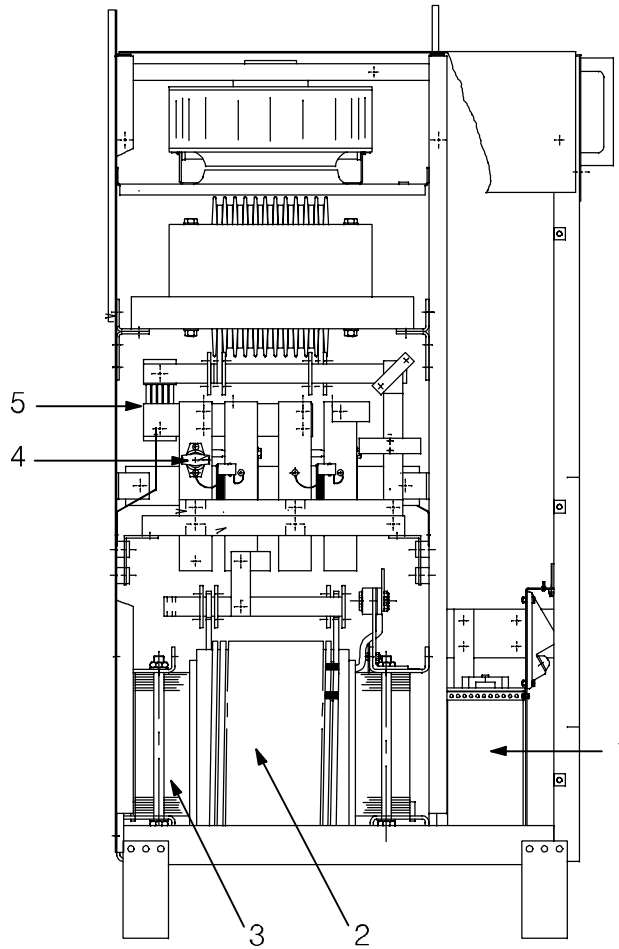
Item no.	Qty	Ordering no.	Denomination	Notes
		<b>0442852880</b>	<b>Welding power source</b>	<b>TAE 1250</b>
		<b>0442852881</b>	<b>Welding power source</b>	<b>TAE 1250</b>
		<b>0442852882</b>	<b>Welding power source</b>	<b>TAE 1250</b>
1	1	0192576004	Indicating lamp	
3		0192576304	Indicating lamp (yellow)	42 - 48 V
4	1	0147866001	Switch	
5	2	0156388001	Handle	
6	1	0218810781	Knob	
7	1	0320746001	Main switch	
8	1	0481889880	PC-board	
9	1	0481097884	Regulator	
10	1	0567200610	Fuse	16 A
11	1	0442849881	Contactactor	
12	2	0319828001	Transformer	
13	1	0442877001	Transformer	
14	1	0319470013	Control transformer	42/110 V
	1	0319470014	Control transformer	42/110 V
	1	0319470017	Control transformer	42/110 V
15		0486178880	PC-board (EMC)	
16		0158115880	Cable inlet	



Item no.	Qty	Ordering no.	Denomination	Notes
1	1	0460004880	Fan complete	
1:1		0459983880	Fan	
2	1	0442945880	Inductor	
3	4	0041051606	Transient protection	
4	4	0321427001	Main thyristor	
5	4	0443065880	Thyristor bridge	
6	1	0442719880	Connection board	
7	1	0040887080	Current relay	
8	2	0442906881	Coil (inductor)	



Item no.	Qty	Ordering no.	Denomination	Notes
1	2	0442846001	Capacitor	220, 380, 415, 550V
2	2	0442831880	Coil	
3	1	0442717881	Main transformer	
4	1	0319445001	Thermal switch	
5	1	0551203080	Shunt	



# ESAB subsidiaries and representative offices

## Europe

### AUSTRIA

ESAB Ges.m.b.H  
Vienna-Liesing  
Tel: +43 1 888 25 11  
Fax: +43 1 888 25 11 85

### BELGIUM

S.A. ESAB N.V.  
Brussels  
Tel: +32 2 745 11 00  
Fax: +32 2 745 11 28

### THE CZECH REPUBLIC

ESAB VAMBERK s.r.o.  
Prague  
Tel: +420 2 819 40 885  
Fax: +420 2 819 40 120

### DENMARK

Aktieselskabet ESAB  
Copenhagen-Valby  
Tel: +45 36 30 01 11  
Fax: +45 36 30 40 03

### FINLAND

ESAB Oy  
Helsinki  
Tel: +358 9 547 761  
Fax: +358 9 547 77 71

### FRANCE

ESAB France S.A.  
Cergy Pontoise  
Tel: +33 1 30 75 55 00  
Fax: +33 1 30 75 55 24

### GERMANY

ESAB GmbH  
Solingen  
Tel: +49 212 298 0  
Fax: +49 212 298 218

### GREAT BRITAIN

ESAB Group (UK) Ltd  
Waltham Cross  
Tel: +44 1992 76 85 15  
Fax: +44 1992 71 58 03

### ESAB Automation Ltd

Andover  
Tel: +44 1264 33 22 33  
Fax: +44 1264 33 20 74

### HUNGARY

ESAB Kft  
Budapest  
Tel: +36 1 20 44 182  
Fax: +36 1 20 44 186

### ITALY

ESAB Saldatura S.p.A.  
Mesero (Mi)  
Tel: +39 02 97 96 81  
Fax: +39 02 97 28 91 81

### THE NETHERLANDS

ESAB Nederland B.V.  
Utrecht  
Tel: +31 30 2485 377  
Fax: +31 30 2485 260

## NORWAY

AS ESAB  
Larvik  
Tel: +47 33 12 10 00  
Fax: +47 33 11 52 03

## POLAND

ESAB Sp.zo.o.  
Katowice  
Tel: +48 32 351 11 00  
Fax: +48 32 351 11 20

## PORTUGAL

ESAB Lda  
Lisbon  
Tel: +351 8 310 960  
Fax: +351 1 859 1277

## SLOVAKIA

ESAB Slovakia s.r.o.  
Bratislava  
Tel: +421 7 44 88 24 26  
Fax: +421 7 44 88 87 41

## SPAIN

ESAB Ibérica S.A.  
Alcalá de Henares (MADRID)  
Tel: +34 91 878 3600  
Fax: +34 91 802 3461

## SWEDEN

ESAB Sverige AB  
Gothenburg  
Tel: +46 31 50 95 00  
Fax: +46 31 50 92 22

### ESAB international AB

Gothenburg  
Tel: +46 31 50 90 00  
Fax: +46 31 50 93 60

## SWITZERLAND

ESAB AG  
Dietikon  
Tel: +41 1 741 25 25  
Fax: +41 1 740 30 55

## North and South America

### ARGENTINA

CONARCO  
Buenos Aires  
Tel: +54 11 4 753 4039  
Fax: +54 11 4 753 6313

### BRAZIL

ESAB S.A.  
Contagem-MG  
Tel: +55 31 2191 4333  
Fax: +55 31 2191 4440

### CANADA

ESAB Group Canada Inc.  
Mississauga, Ontario  
Tel: +1 905 670 02 20  
Fax: +1 905 670 48 79

### MEXICO

ESAB Mexico S.A.  
Monterrey  
Tel: +52 8 350 5959  
Fax: +52 8 350 7554

### USA

ESAB Welding & Cutting Products  
Florence, SC  
Tel: +1 843 669 44 11  
Fax: +1 843 664 57 48

## Asia/Pacific

### CHINA

Shanghai ESAB A/P  
Shanghai  
Tel: +86 21 5308 9922  
Fax: +86 21 6566 6622

### INDIA

ESAB India Ltd  
Calcutta  
Tel: +91 33 478 45 17  
Fax: +91 33 468 18 80

### INDONESIA

P.T. ESABindo Pratama  
Jakarta  
Tel: +62 21 460 0188  
Fax: +62 21 461 2929

### JAPAN

ESAB Japan  
Tokyo  
Tel: +81 3 5296 7371  
Fax: +81 3 5296 8080

### MALAYSIA

ESAB (Malaysia) Snd Bhd  
Selangor  
Tel: +60 3 8027 9869  
Fax: +60 3 8027 4754

### SINGAPORE

ESAB Asia/Pacific Pte Ltd  
Singapore  
Tel: +65 6861 43 22  
Fax: +65 6861 31 95

### SOUTH KOREA

ESAB SeAH Corporation  
Kyungnam  
Tel: +82 55 269 8170  
Fax: +82 55 289 8864

### UNITED ARAB EMIRATES

ESAB Middle East FZE  
Dubai  
Tel: +971 4 887 21 11  
Fax: +971 4 887 22 63

## Representative offices

### BULGARIA

ESAB Representative Office  
Sofia  
Tel/Fax: +359 2 974 42 88

### EGYPT

ESAB Egypt  
Dokki-Cairo  
Tel: +20 2 390 96 69  
Fax: +20 2 393 32 13

### ROMANIA

ESAB Representative Office  
Bucharest  
Tel/Fax: +40 1 322 36 74

### RUSSIA

LLC ESAB  
Moscow  
Tel: +7 095 543 9281  
Fax: +7 095 543 9280

### LLC ESAB

St Petersburg  
Tel: +7 812 336 7080  
Fax: +7 812 336 7060

## Distributors

*For addresses and phone numbers to our distributors in other countries, please visit our home page*

[www.esab.com](http://www.esab.com)



ESAB AB  
SE-695 81 LAXÅ  
SWEDEN  
Phone +46 584 81 000

[www.esab.com](http://www.esab.com)

