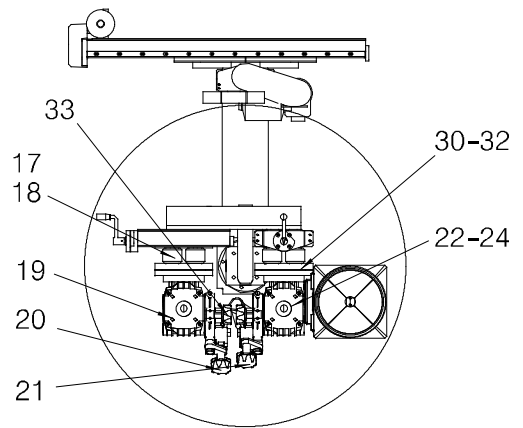
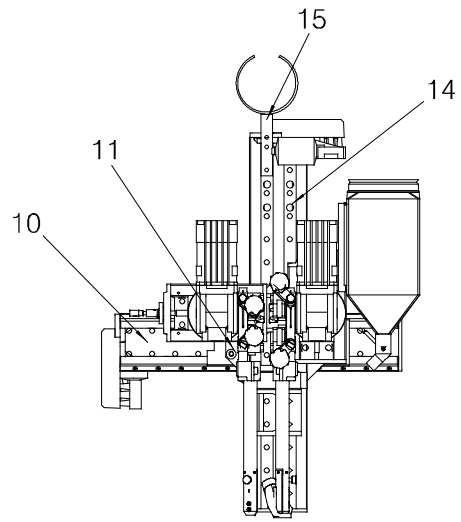
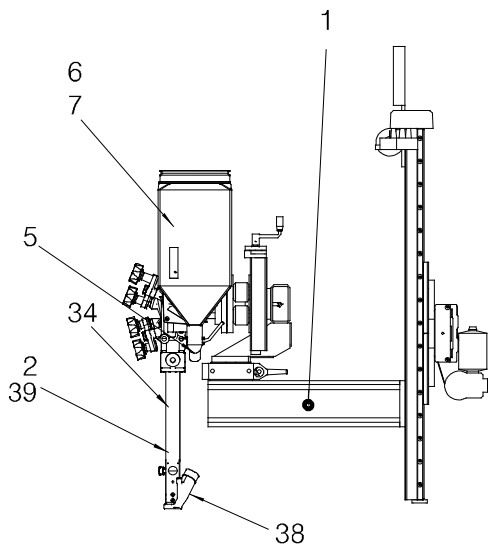
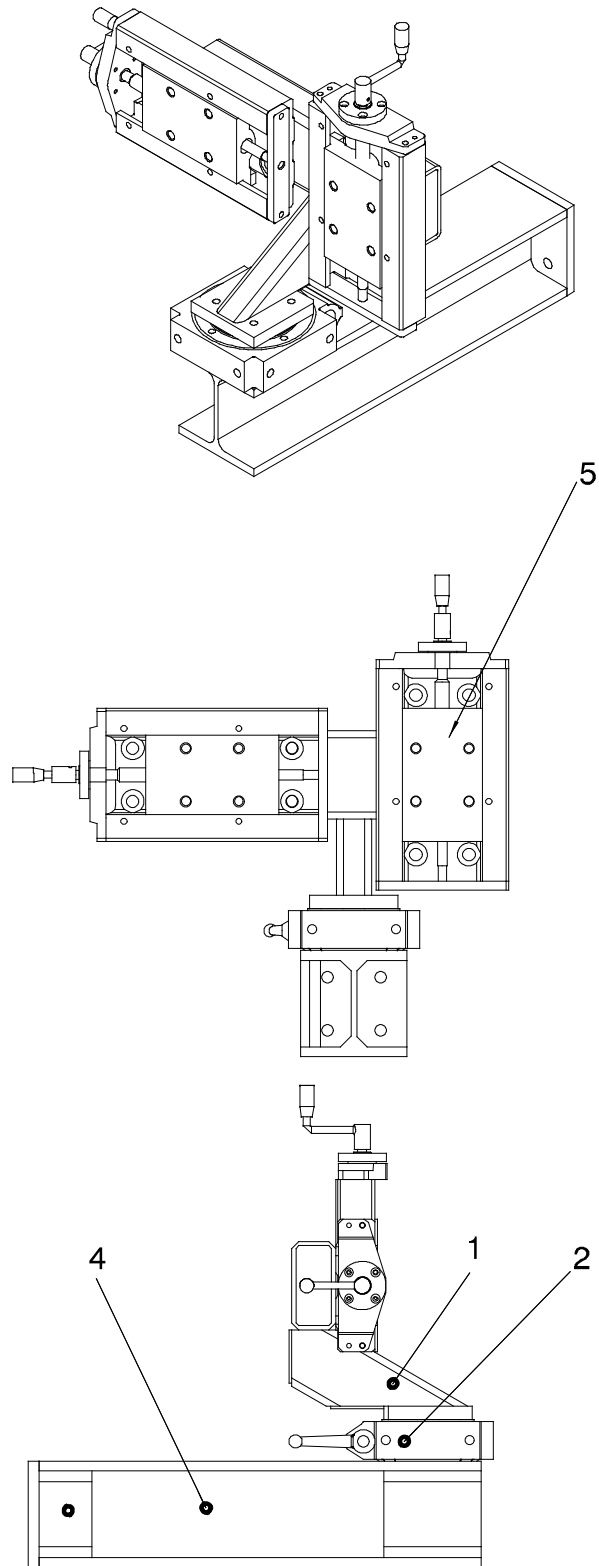


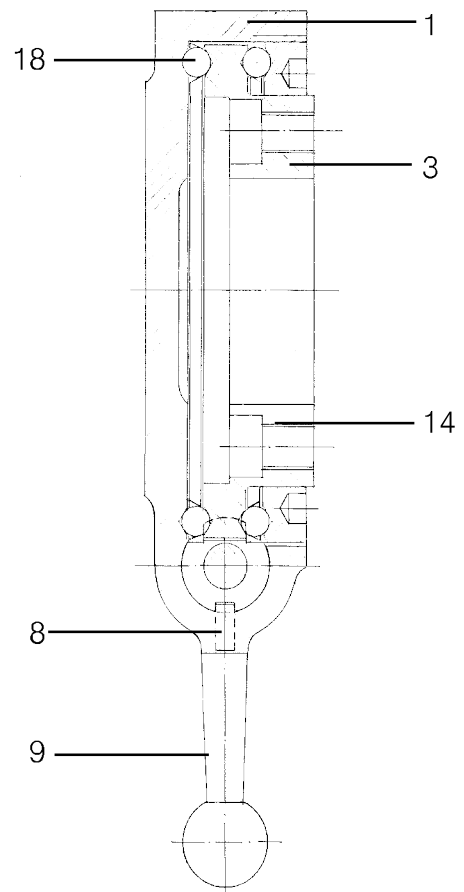
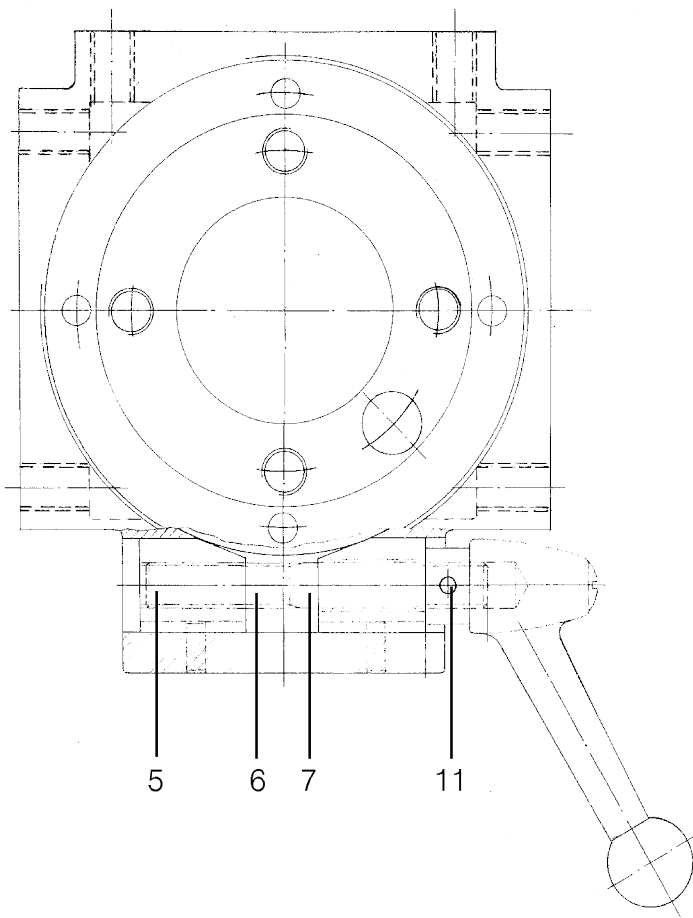
Item no.	Qty	Ordering no.	Denomination	Notes
		<b>0809939xxx</b>	<b>Tandem welding head</b>	<b>A6 DS Tandem Master (156:1)</b>
1	1	0809873880	Swivle bracket	90°
2	2	0417959882	Contact device	D35, L=400
5	1	0443383001	Flux hose	D32/25
6	1	0147649881	Flux hopper	10 l
7	1	0148487880	Bracket for flux hopper	
10	1	0416190880	Slide with two runners	sl=358
11	1	0800553001	Intermediate plate, slide cross	
14	1	0416190884	Slide with two runners	sl=598
15	1	0379239881	Cable support	
17	8	0278300180	Insulator	2000V
18	1	0145063906	Motor with gear	A6 VEC (4000rpm), see separate manual
20	1	0147639880	Wire straightener, right mounted	D35
21	1	0147639881	Wire straightener, left mounted	D35
22	1	0145063896	Motor with gear	A6 VEC (4000rpm), see separate manual
24	2	0449253882	Cable set	L=5m
30	2	0334170001	Clamping ring	
31	2	0334171001	Plate	
32	2	0334172001	Gear bracket	
33	2	0218810183	Insulated hand wheel	
34	2	0457713001	Bar	
38	1	0254900880	Flux funnel c/w insert	



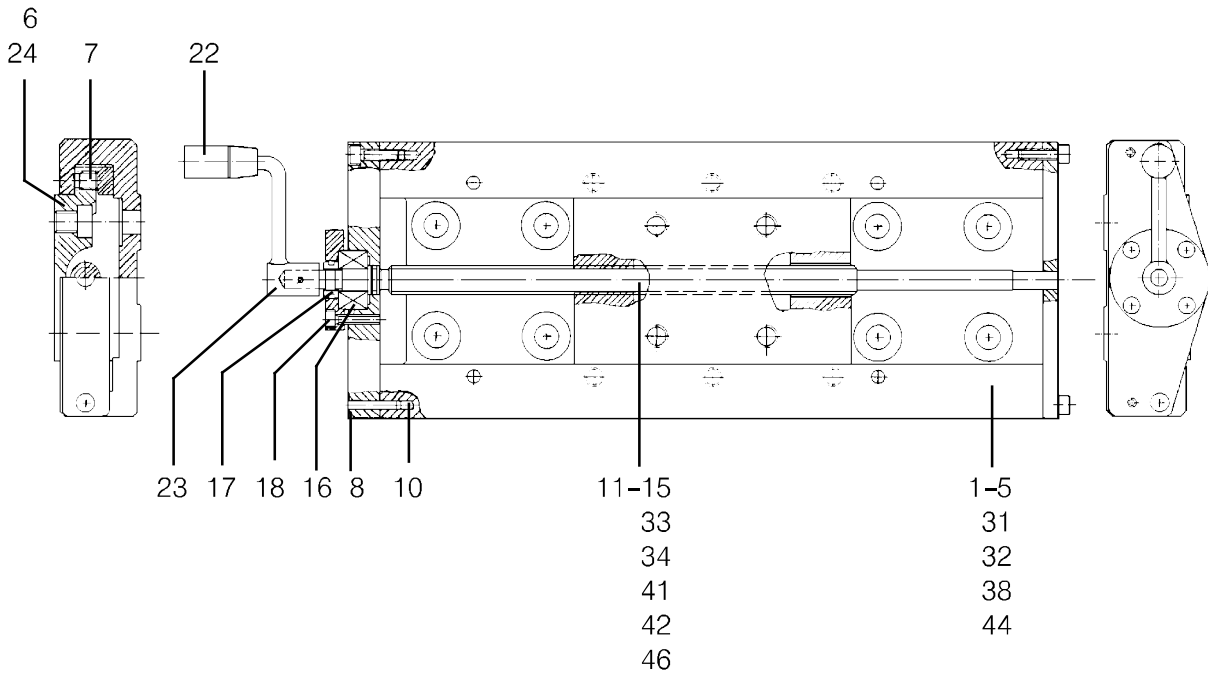
Item no.	Qty	Ordering no.	Denomination	Notes
		<b>0809873880</b>	<b>Adjustable bracket</b>	
1	1	0809935880	Bracket	
2	1	0671114780	Rotary slide	
4	1	0810795880	Attachment complete	
5	2	0154465880	Manual slide	travel length 90mm



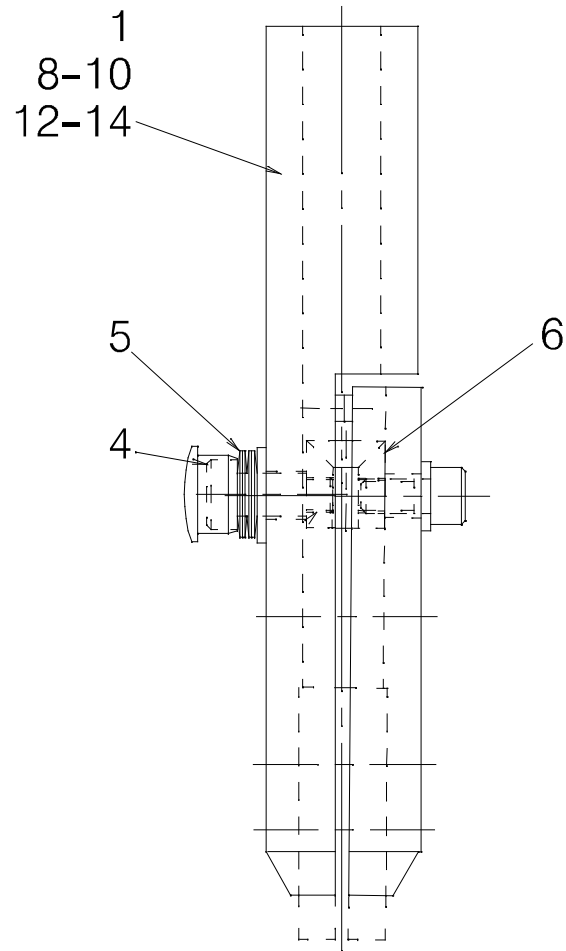
Item no.	Qty	Ordering no.	Denomination	Notes
		<b>0671114780</b>	<b>Rotary slide</b>	
1	1	0215810801	Housing	
2	1	0215705401	Ball ring	
3	1	0215507501	Intermediate ring	
5	1	0216702601	Catch	
6	1	0212201077	Stud	steel d60 m12x95
7	1	0216702602	Catch	
8	2	0211102966	Roll pin	d 6x16
9	1	0218812416	Locking arm	se ritn.
11	1	0211102947	Roll pin	d 4x20
18	94	0221307022	Ball	SKF



Item	Qty	Orderingno.	Denomination	Remarks
		<b>0154465880</b>	<b>Slide, manually operated</b>	<b>L=90</b>
1	1	0154464001	Slide frame	
6	1	0154463880	Carriage with slide rails	
7	6	0190509485	Stop screw	M10x10
8	1	0154458001	End piece	
10	2	0211102957	Roll pin	D5x20
11	1	0154461001	Lead screw	
16	1	0190531201	Ball bearing	SKF 3201
17	1	0154456001	Lock nut	
18	1	0154457001	Ball bearing cap	
22	1	0334537001	Handle crank	
23	1	0211102938	Roll pin	D3x20

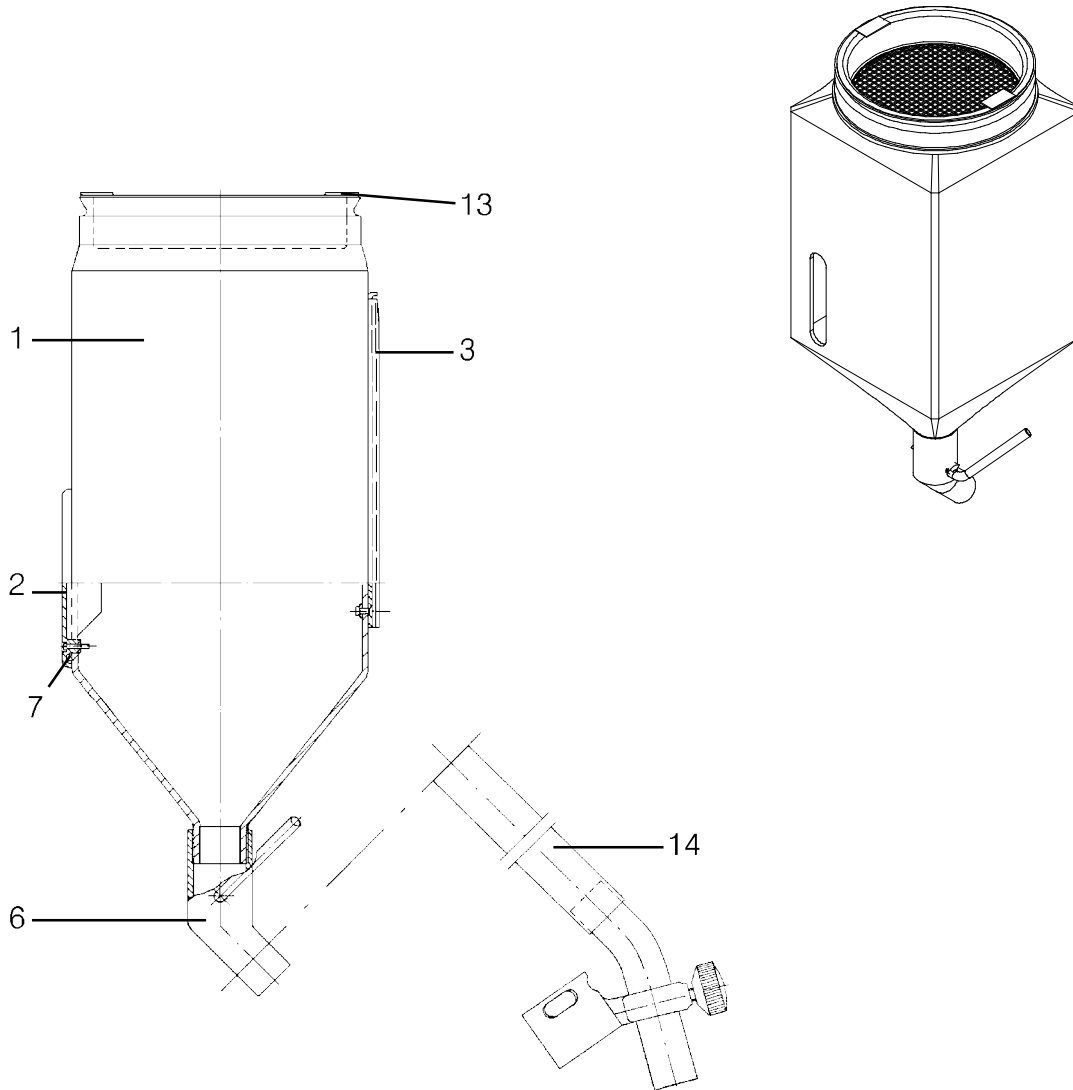


Item no.	Qty	Ordering no.	Denomination	Notes
		<b>0417959882</b>	<b>Contact jaw tube</b>	<b>L = 400 mm</b>
4	1	0443372001	Fitting bolt	d20/10.2, T=1.1
5	4	0219504307	Cup spring	
6	1	0417979001	Ring	
9	1	0443344882	Contact tube	L = 400 mm

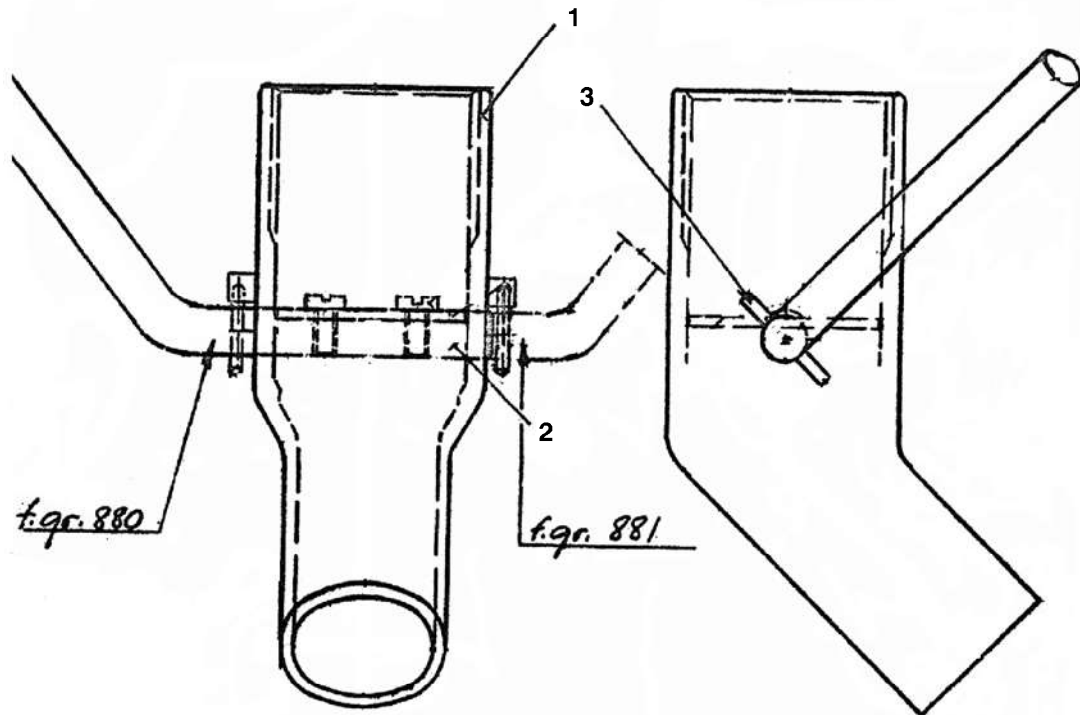




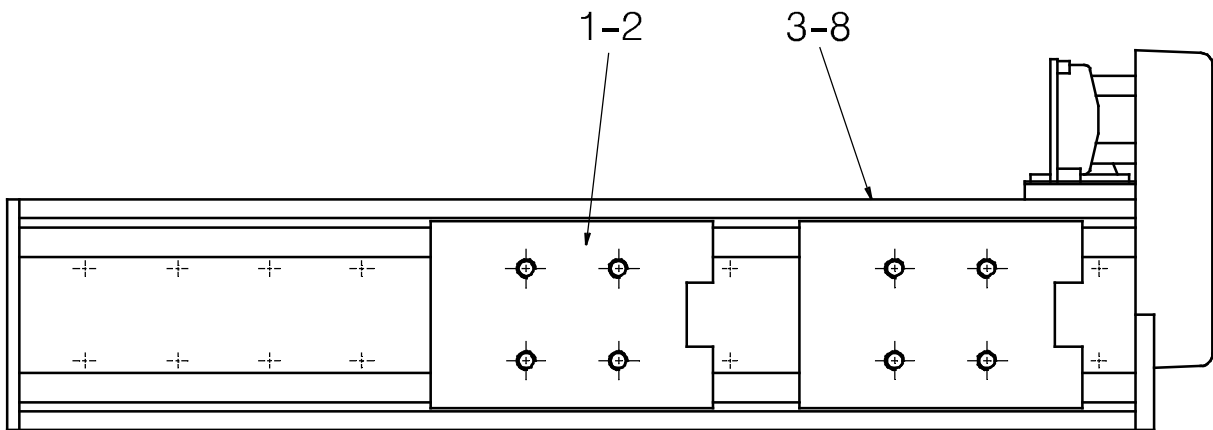
Item no.	Qty	Ordering no.	Denomination	Notes
		<b>0147649881</b>	<b>Flux Hopper</b>	<b>10l</b>
1	1	0154007001	Flux hopper	
2	1	0148837001	Window (a6 flux hopper)	
3	1	0147645001	Mounting	
6	1	0153347880	Flux valve	
7	1	0215201232	Sealing, O-ring	69,2x5,7
13	1	0020301780	Flux strainer	
14	1	0443383002	Flux hose	L=500



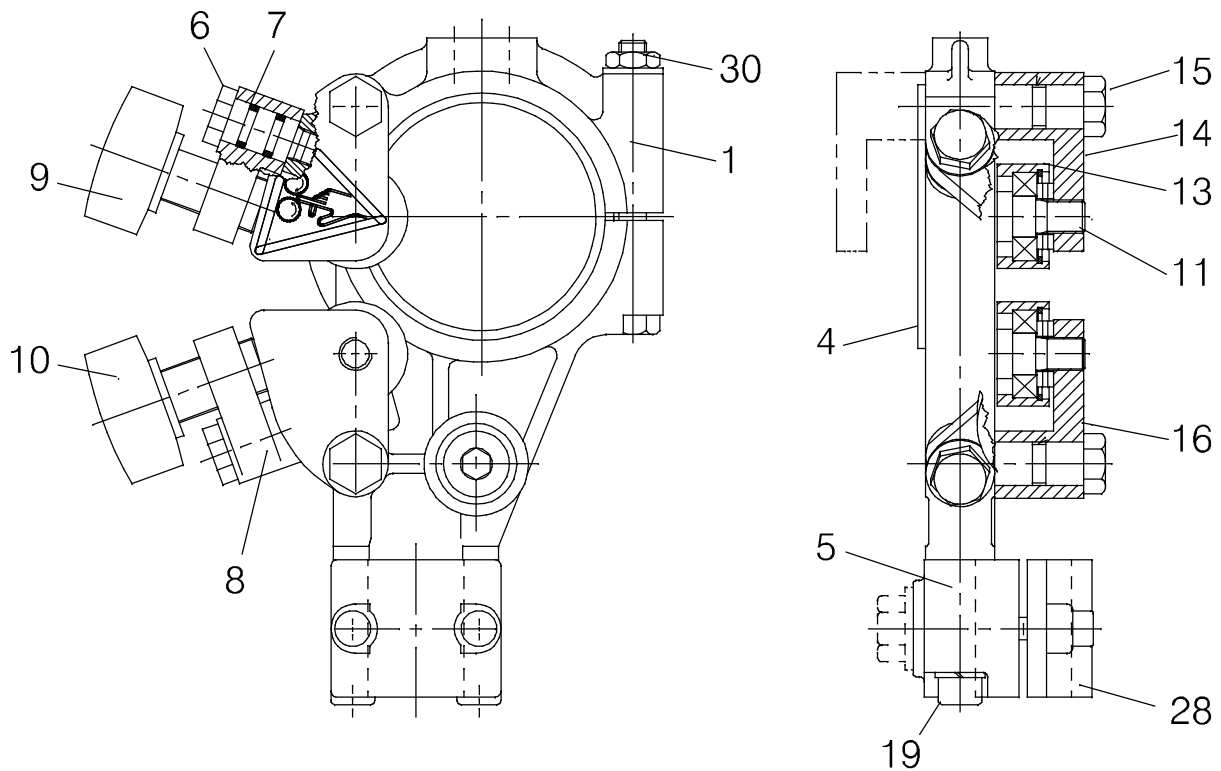
Item no.	Qty	Ordering no.	Denomination	Notes
		<b>0153347880</b>	<b>Flux valve</b>	
1	1	0153348001	Outlet	
2	1	0153349001	Shaft	
3	1	0211102938	Roll pin	d 3x20



Item no.	Qty	Ordering no.	Denomination	Notes
		<b>0416190880</b>	<b>Slide with two runners</b>	
1	1	0334331880	Runner	
2	4	0334337001	Ball bushing	
3	1	0334333886	Slide	A6 Slide (LI=540), see separate manual
		<b>0416190884</b>	<b>Slide with two runners</b>	
1	1	0334331880	Runner	
2	4	0334337001	Ball bushing	
7	1	0334333887	Slide	A6 Slide (LI=732), see separate manual



Item no.	Qty	Ordering no.	Denomination	Notes
		<b>0147639880</b>	<b>Wire straightener (right mounted)</b>	
1	1	0156449001	Clamp	
4	1	0215503601	Insulating sleeve	
5	1	0156530001	Clamp half	D35
6	2	0212900001	Spacer screw	
7	4	0215201209	Sealing, O-ring	D11.3x2.4
8	2	0218400801	Pressure roller arm	
9	1	0218810181	Handwheel, insulated	
10	1	0218810182	Handwheel, insulated	
11	3	0332408001	Stub shaft	
13	3	0153148880	Pressure roller	
14	1	0415498001	Pressure roller, upper	
15	2	0212902601	Spacer screw	
16	1	0415499001	Pressure roller, lower	
19	2	0219501013	Spring washer	D18.1/10.2
28	1	0156531001	Clamp half	D35
30	1	0212 601110	Nut	M10



Item	Qty	Orderingno.	Denomination	Remarks
		<b>0147639881</b>	<b>Wire straightener (left mounted)</b>	
1	1	0156449001	Clamp	
4	1	0215503601	Insulating sleeve	
5	1	0156530001	Clamp half	D35
6	2	0212900001	Spacer screw	
7	4	0215201209	Sealing, O-ring	D11.3x2.4
8	2	0218400801	Pressure roller arm	
9	1	0218810181	Handwheel, insulated	
10	1	0218810182	Handwheel, insulated	
11	3	0332408001	Stub shaft	
13	3	0153148880	Pressure roller	
14	1	0415498001	Pressure roller, upper	
15	2	0212902601	Spacer screw	
16	1	0415499001	Pressure roller, lower	
19	2	0219501013	Spring washer	D18.1/10.2
28	1	0156531001	Clamp half	D35
30	1	0212601110	Nut	M10

